



MUSTAD

THE HOOFCARE PEOPLE

PRODUCT CATALOGUE EMEA

MAKING LIFE EASIER FOR FARRIERS



Thank you for your interest in our products! The Mustad Hoofcare Group is the world's largest manufacturer and seller of Hoofcare products, serving the needs of farriers, veterinarians and other equine professionals. The Mustad family has been active in the hoofcare market for more than 190 years and today the company is managed by the 7th generation. As a truly global company with local presence in much of the world, we've acquired local knowledge and a multi-cultural understanding of the markets and horse cultures in which we operate.

Passion

We firmly believe that proper hoofcare is critical to the health and performance of the horse, and we actively support education by sponsoring or directly providing a clinic everyday somewhere in the world. We are passionate about hoofcare...

Innovation

We are "The Hoofcare People"!

Contained in this catalogue you will find a selection of some of the finest hoofcare products available. By working closely with farriers and other industry experts, as well as our internal global network of Hoofcare experts, we are able to have a thorough understanding of our customer's needs. We are confident that you will find our products are of the highest quality and well suited to meet the demands of the equine professional.

Commitment

With innovation and continuous improvement being part of our core values, your feedback about the quality or design of our products is always welcomed. More information about our products is available via our website at www.mustad.com or by contacting your local Mustad dealer.

Collaboration

Thank you for your business!

The history of MUSTAD 6

Horseshoes 10

Horseshoes technologies 12

MUSTAD shoes

LiBero®	14
LiBero® Pony	18
LiBero® Ice	20
LiBero® Equi-Librium	22
LiBero® Concave 8 mm	24
LiBero® Concave 10 mm	26
Equi-Librium®	28
Equi-Librium® Air	30
Equi-Librium® Aluminium	32
Dynamic	34
BaseMax	38
Mustad SM	41

St. Croix shoes

Concorde Steel	42
Concorde Equi-Librium® Steel	44
Concorde Xtra® Steel	46
Concorde Aluminium	48
Concorde Equi-Librium® Aluminium	50
Concorde Xtra® Aluminium	52
Concorde Xtra® Air	54
Concorde Turf Aluminium	56
Eventer® Steel	58
Eventer® Aluminium	60
Advantage® Steel	62
Advantage® Aluminium	64

Hoof nails

66

Hoof nails technologies	68
-------------------------	----

MUSTAD nails

Endura nails	70
Copper nails	72
E	74
E-slim	75
ESL Pitch	76
Concave [®]	77
EXL [®]	78
EXL [®] Pitch	79
MX	80
ARC [®]	81
Swift [®]	82
JC	83
FJ / FJ-slim	84
JF	85
JCF	86
VF Pro	87
M / M-slim	88
ASV	89
Race	90
Draft / Draft-slim	91
Slider	92
HammerHead / HammerHead-slim	93
Rapid	94
Road E / Road E-slim	95

Hoof Rasps **96**

Hoof rasps technologies	97
eXcel Original	98
eXcel Legend	99
Legend	100
Pro-Finish	101
Black Master	102
Black Legend	103
Red Tang	104
Rasp handles	105

Tools **106**

GDM Tools	107
MUSTAD Tools	112
Hoof Helper Hoof Stand	119

Care **121**

ComfortMix - What's New?	122
ComfortMix - Hoof Pads	123
ComfortMix - Hoof Repair	124
ComfortMix - Care products	125
ComfortMix - Hoof Cushion	126
ComfortMix - Hoof Cast	128
Rose Foal Shoe	129
Hoof Care products	130
Leather Pads	131
No-Shock Pads	132

Winter **134**

No-Snow Pads	135
Traction	137
Production sites	138
Sales and Distribution sites	139



190 YEARS



1846

HANS SON IN LAW, OLE MUSTAD, TAKES OVER THE COMPANY.



1882

MUSTAD BECOMES THE LARGEST NAIL MANUFACTURER IN EUROPE.



1945

MUSTAD SURVIVES BOTH WORLD WARS BUT SUFFERS HUGE LOSSES.

1832

HANS SKIKKELSTAD FOUNDS THE BRUNESWEEN NAIL & WIRE FACTORY IN NORWAY.



1898

O. MUSTAD & SON START MANUFACTURING NAILS IN SWEDEN.



1874

OLE'S SON, HANS, JOINS THE BUSINESS.



1900S

O. MUSTAD & SON ESTABLISH FACTORIES ACROSS EUROPE IN COUNTRIES SUCH AS FRANCE, GERMANY, THE UK, SPAIN, POLAND, HUNGARY, YUGOSLAVIA...

OF MUSTAD



1977

CHRISTIAN & OLE, FOUND MUSTAD INTERNATIONAL. THE BRAND EXPANDS FURTHER INTO HOOF-CARE.



1997

THE GROUP EXPANDS INTO SOUTH AMERICA & BECOMES A MAJOR SUPPLIER IN THE REGION.

1999

MUSTAD SECURES ITS OWN HORSESHOE PRODUCTION IN THE NETHERLANDS.



1972

MUSTAD MADE THE FIRST COPPER COATED NAIL, THE ATCU NAIL, FOR THE GREEK MARKET.



2006

HELLER RASPS BECOMES PART OF THE GROUP.



1995

CAPEWELL NAILS & ST. CROIX FORGE JOIN THE FAMILY.



2008

INGRID KLIMKE WINS GOLD AT THE BEIJING OLYMPICS ON A HORSE SHOD WITH MUSTAD'S EQUI-LIBRIUM SHOE.



THE HOOFCAL



2011
OUR BEST-SELLING SHOE IS INTRODUCED, THE MUSTAD LIBERO.



2013
MY HELLER GIVES THE POSSIBILITY FOR FARRIERS TO CREATE THEIR OWN RASP ACCORDING TO THEIR SPECIFIC NEEDS.



2013
MUSTAD STARTS SUPPORTING EQUIMEETING WITH PERFORMING PRACTICAL DEMONSTRATIONS AND PROVIDING FARRIERS THE NEEDED SERVICE AND INFORMATION.



2016
THE HELLER EXCEL LEGEND, THE MOST SOLD RASP IN HISTORY ENTERS THE MARKET.

2010
MUSTAD LAUNCHES THE SWIFT NAIL TO FULFIL THE NEEDS OF RACE FARRIERS.



2014
MUSTAD SUPPORTS THE WORLD CHAMPIONSHIP BLACKSMITH COMPETITION IN CALGARY FOR OVER TWENTY YEARS UNTIL THE LAST ONE IN 2014.

2010
THE CHAMPION OF CHAMPION COMPETITION 2010 WAS WON BY PAUL ROBINSON. PRIZE MONEY WENT TO CHARITY: NEONATAL UNIT AT CROSSHOUSE HOSPITAL.

2014
THE HAMMERHEAD RACE NAIL & THE HELLER EXCEL ORIGINAL HIT THE MARKET.



ARE PEOPLE



2017
MUSTAD'S ENDURA NAILS REVOLUTIONIZE THE INDUSTRY, ALONGSIDE THE LAUNCH OF THE PITCH TECHNOLOGY.

2020

MUSTAD KEEPS INNOVATING ON NAIL TECHNOLOGY. THE NA FORGED NAIL & THE DRAFT NAIL LAUNCH.

2020

EQUINET LAUNCHES IN AUSTRALIA.

2020

MUSTAD HOOFCARE WAS THE OFFICIAL, AND ONLY, SUPPLIER OF PRODUCTS FOR ALL THE EQUESTRIAN SPORTS EVENTS AT THE OLYMPIC GAMES IN TOKYO.



2023

MUSTADFORS BRUKS TURNS 125 YEARS.



2018

COMFORTMIX & THE GDM TOOL RANGE HIT THE SHELVES.



2022

MUSTAD PROVIDES FARRIERS SERVICE AT THE FEI WORLD CHAMPIONSHIPS DRESSAGE, SHOW JUMPING EVENTS IN DENMARK.

2022

WE CELEBRATE OUR 190TH ANNIVERSARY.





MUSTAD
DESIGNED TO PERFORM



ST. CROIX FORGE
FORGING EXCELLENCE

HORSESHOES

Mustad horseshoes are designed and crafted according to two key principles: making the ideal horseshoe for the horse and ensuring ease of use for the farrier.

We offer horseshoes to suit practically all possible situations – taking into account breed and type of horse, sport, surface conditions and environmental requirements.



LIBERO

Horseshoes technologies

Innovation is at the core of our values and our approach to horseshoe making is no exception. We are continuously investing in perfecting our production lines and give our full support to scientific researches: this is how we make products that are at the leading edge in technology, for better hoofcare.



Extended Crease Design The extended crease through the toe area of the shoe provides extra-traction on hard surfaces and helps reducing its overall weight, without compromising cover and sole protection.



Xtra Grip Extra grip provided by a higher outer rim.



Inner concave section

The Inner Concave Section helps reducing the overall weight without compromising cover and protection of the sole. It also provides better access for cleaning of the sole area, key detail for a sound hoof.

Extra Rim Traction The special design of the extended crease and the inside heel-to-heel concave section allows for optimal grip reduction and exceptional grip on all surfaces.



Mustad ToughSteel™ A special higher grade of steel is selected specifically for lighter racing shoes to ensure the toe area is stronger and more durable.



Full Heel Support Prevents heels from sinking into the ground, thus avoiding unnecessary strain on ligaments and tendons. It also provides better support for studs, if needed. This is particularly helpful for sport horses competing on soft surfaces.



Section-To-Size Horseshoes featuring this concept are growing each size in all dimensions. Not only are the width and length of the shoes increasing per size, but also the width of the section, the coarseness of the nail holes and the thickness of the shoe. This provides an optimized shoe fit for each individual, as smaller sizes are lighter and bigger sizes are stronger.

Flush Clips These clips are designed to sit on top of the hoof wall preventing unnecessary loss of hoof wall. Our production methods ensure that the clip is not drawn from the shoe section, leaving a stronger toe area for a better wear pattern, especially on front shoes.





Science-tested product Innovative products supported by scientific research and developed for the better of the horse. A close co-operation between the Mustad Group and a number of Veterinarian Universities has resulted in revolutionary science-based hoofcare products. Testing methods have often included technologically advanced Pressure & Force plates, giving a better understanding of gait and limb load bearing.



Limb Load Reduction Our special design brings the ground contact point back underneath the hoof, thus reducing the breakover lever arms and putting less tension on the ligaments and tendons of the horse. This reduces the risk of limb injuries which is still the main cause of performance loss and early retirement in sport horses.



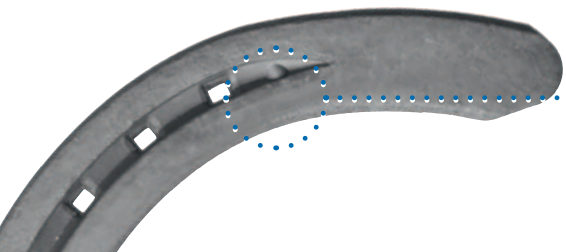
Mustad HardAlu™ All our aluminum shoes undergo a special hardening treatment to ensure a longer life cycle, while maintaining strength, durability and shapeability.



Comfort Sole Relief Prevents sole bruising from occurring as a result of pressure of the shoe on the sensitive part of the sole. It delivers an improved overall comfort to the horse and it also helps saving time at the anvil.



Shape-to-Size Optimized shapes adapted to different pony foot sizes. Pony shoes cannot be 'one-shape-fits-all'. As the confirmation of a pony foot varies greatly from breed to breed, it is necessary to adapt not only the dimensions of each shoe but also the shoe geometry to the specific character of each pony foot.



ABC (Anatomical Branch Concept) The outside branch is clearly marked in the fuller and is always slightly longer, with the nail holes punched a fraction coarser for optimum fitting and nailing on. The bents of the inside and outside branches follow the physiological shape of the hoof.

LiBero®



The Mustad LiBero® is a highly versatile 3/4 fullered shoe made from premium grade steel and manufactured in The Netherlands.

Mustad LiBero® offers flexible horseshoe options.

- Wide sizes/sections for different horses
- Innovative features for easy shoe adaptations
- Section-To-Size design adjusts dimensions
- Follows natural hoof shape
- Definite left/right shapes for front/hind shoes
- Slope heels for front, upright for hind
- Edges broken/boxed for better functionality



Underside



Hoof side

Front shoes

Model typical left and right

Toe clip

Sizes 4*0 - 7

Quarter clips

Sizes 4*0 - 6

Hind shoes

Model typical left and right

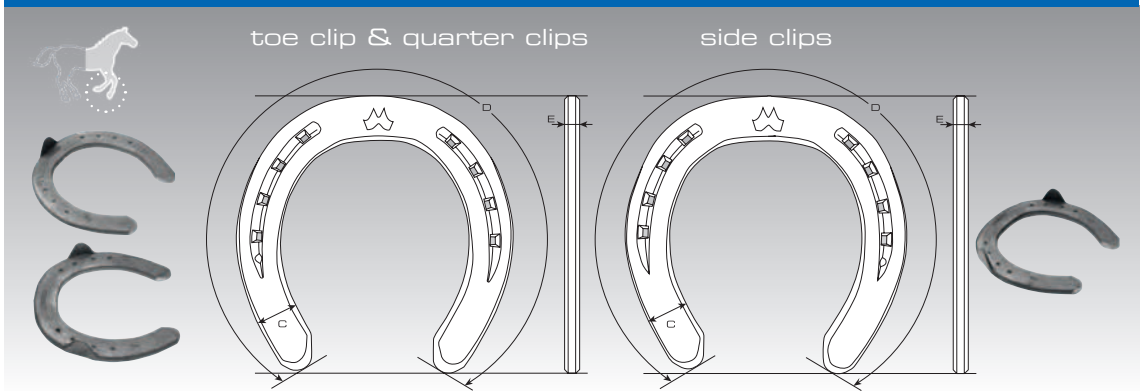
Toe clip

Sizes 2*0 - 4

Side clips

Sizes 4*0 - 7





20x8 Front

Size	C	D	E
4*0	19.0	313	7.4
3*0	19.5	326	7.5
2*0	20.0	340	7.6
0	20.3	355	7.7
1	20.5	374	7.8

22x8 Front

Size	C	D	E
3*0	21.8	326	7.5
2*0	22.0	340	7.6
0	22.3	355	7.7
1	22.5	374	7.8
2	22.8	392	7.9
3	23.0	415	8.0
4	23.3	438	8.1

25x8 Front

Size	C	D	E
1	24.5	374	7.8
2	24.8	392	7.9
3	25.0	415	8.0
4	25.3	438	8.1
5	25.5	451	8.2

20x10 Front

Size	C	D	E
3*0	19.5	326	9.1
2*0	20.0	340	9.2
0	20.3	355	9.3
1	20.5	374	9.4

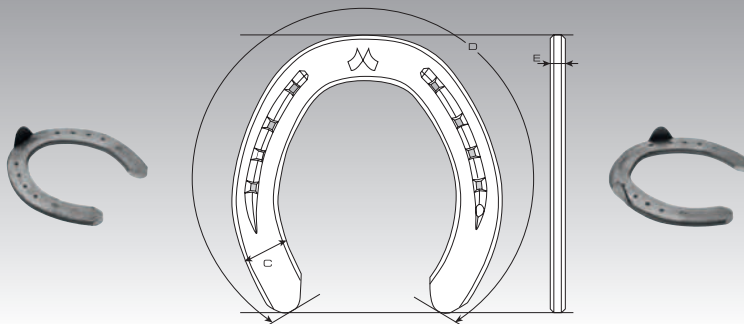
22x10 Front

Size	C	D	E
2*0	22.0	340	9.3
0	22.3	355	9.4
1	22.5	374	9.5
2	22.8	392	9.6
3	23.0	415	9.7
4	23.3	438	9.8

25x10 Front

Size	C	D	E
1	24.5	374	9.5
2	24.8	392	9.6
3	25.0	415	9.7
4	25.3	438	9.8
5	25.5	451	10.0
6	23.8	NN	10.2
7	26	NN	10.4

toe clip & side clips



20x8 Hind

Size	C	D	E
4*0	19.0	292	7.4
3*0	19.5	314	7.5
2*0	20.0	328	7.6
0	20.3	343	7.7
1	20.5	361	7.8

22x8 Hind

Size	C	D	E
3*0	21.8	314	7.5
2*0	22.0	328	7.6
0	22.3	343	7.7
1	22.5	361	7.8
2	22.8	378	7.9
3	23.0	398	8.0
4	23.3	418	8.1

25x8 Hind

Size	C	D	E
1	24.5	361	7.8
2	24.8	378	7.9
3	25.0	398	8.0
4	25.3	418	8.1
5	25.5	438	8.2

20x10 Hind

Size	C	D	E
3*0	19.5	314	9.1
2*0	20.0	328	9.2
0	20.3	343	9.3
1	20.5	361	9.4

22x10 Hind

Size	C	D	E
2*0	22.0	328	9.3
0	22.3	343	9.4
1	22.5	361	9.5
2	22.8	378	9.6
3	23.0	398	9.7
4	23.3	418	9.8

25x10 Hind

Size	C	D	E
1	24.5	361	9.5
2	24.8	378	9.6
3	25.0	398	9.7
4	25.3	418	9.8
5	25.5	438	10.0
6	23.8	452	10.2
7	26	NN	10.4

Recommended nails
for this product



ARC®



Concave®



E-slim



ESL-Pitch™



LiBero® Pony



Extension of the standard LiBero®.
LiBero® Pony: Advanced shoe range for ponies, based on research, expert input, and market testing, consolidating our expertise in hoof care.

- LiBero® has significant differences in sizes 2*0 to 4*0, with lighter sections and smaller nail punching
- Front shoes in smaller sizes have less round, narrower, and straighter shape
- Hind shoes in smaller sizes have higher placement of the widest point and more pointed toe area
- Sizes 5*0 to 7*0 have even smaller punching for small pony feet



Underside



Hoof side



Front shoes

Toe clip

Sizes 7*0, 6*0, 5*0

Hind shoes

Toe clip

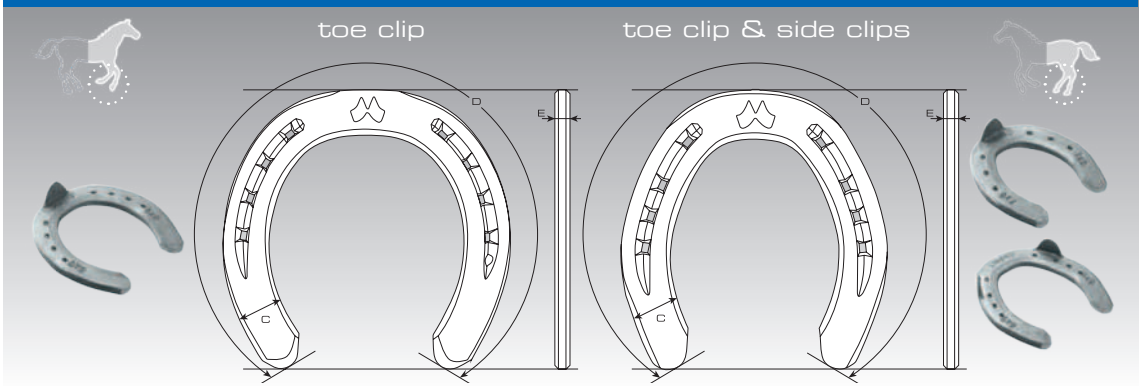
Sizes 7*0

Side clips

Sizes 6*0, 5*0

Recommended nails for this product

-  ARC®
-  Concave®
-  EXL®
-  E-slim
-  ESL-Pitch™



18x7 Front

Size	C	D	E
7°0	17.5	244	6.5
6°0	17.8	265	6.5
5°0	18.1	284	6.6

18x7 Hind

Size	C	D	E
7°0	17.5	237	6.5
6°0	17.8	256	6.5
5°0	18.1	276	6.6



LiBero[®] Ice



FEIF-regulation compliant shoe for Icelandic horses, developed with farriers. Premium steel, durable with strong clips. Toe design for strength and safety.

- Extensively researched by specialized farriers
- Tested on top Icelandic horses
- Optimal balance for horse's potential
- FEIF-regulation compliant size and dimensions
- High-grade steel for durability
- Next-level nailfit for E-slim and EXL nails
- Symmetrical front shoes with toe clips
- Strongest shoe with special toe design
- Front shoes in 8mm and 10mm thickness
- Asymmetrical hind shoes with side clips
- Hind shoes in 6mm, 8mm, and 10mm thickness
- Safe toe and inside to prevent injuries



Underside



Hoof side



Front shoes

Model symmetrical

Toe clip

Sizes 3*0, 2*0, 0, 1

Hind shoes

Model typical left and right

Side clips

Sizes 4*0, 3*0, 2*0, 0

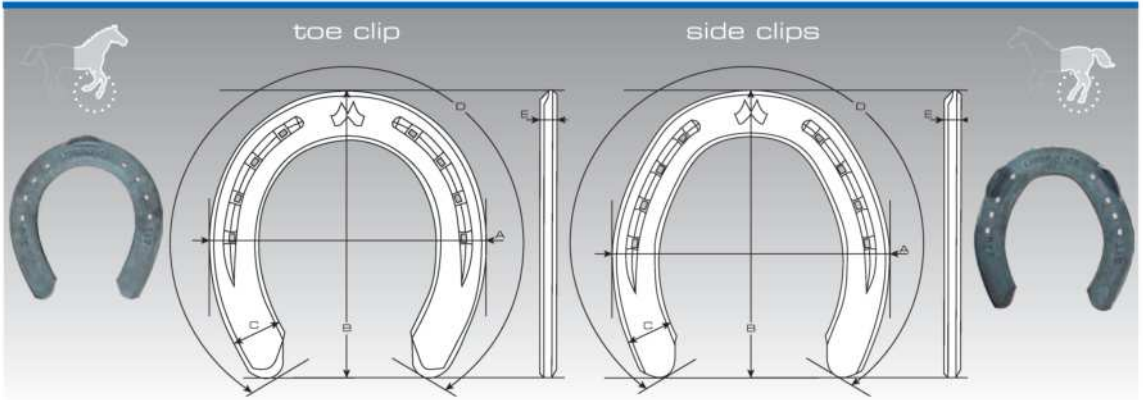
Recommended nails
for this product



EXL[®]



ESL-Pitch[™]



22x8 Front

Size	A	B	C	D	E
3°0	116.4	120	22	-	7.6
2°0	122.2	126	22	-	7.6
0	128	132	22	-	7.6
1	133.8	138	22	-	7.6

22x8 Hind

Size	A	B	C	D	E
4°0	110.4	112/114	22	-	7.6
3°0	116.2	118/120	22	-	7.6
2°0	122	124/126	22	-	7.6
0	127.8	130/132	22	-	7.6

22x10 Front

Size	A	B	C	D	E
2°0	122.2	126	22	-	9.6
0	128	132	22	-	9.6
1	133.8	138	22	-	9.6

22x10 Hind

Size	A	B	C	D	E
3°0	116.2	118/120	22	-	9.6
2°0	122	124/126	22	-	9.6
0	127.8	130/132	22	-	9.6



LiBero® Equi-Librium



LiBero's versatility meets Equi-Librium's proven benefits, providing more options for farriers and horses in a cutting edge shoe.

With additional rolling through to the heel quarters, on an omnidirectional style shoe with a solid heel allowing for optimal performance.

- Perfect fit with Mustad premium E-head nails
- Front clips between 2nd and 3rd nail holes
- Equi-Librium rolled toe and quarters for smooth breakover
- Durable on all terrains
- Sole relief minimizes pressure
- Wide heels for support
- Optimal nail hole positioning
- Asymmetrical foot shape, available in left and right pattern



Science based product



Full Heel Support



Comfort Sole Relief



Section-To-Size



ABC
Anatomical
Branch
Concept



Limb Load Reduction



Underside



Hoof side



Front shoes

Model typical left and right

Toe clip

Sizes 3*0 - 4

Quarter clips

Sizes 3*0 - 5

**Recommended nails
for this product**



ARC®



Concave®



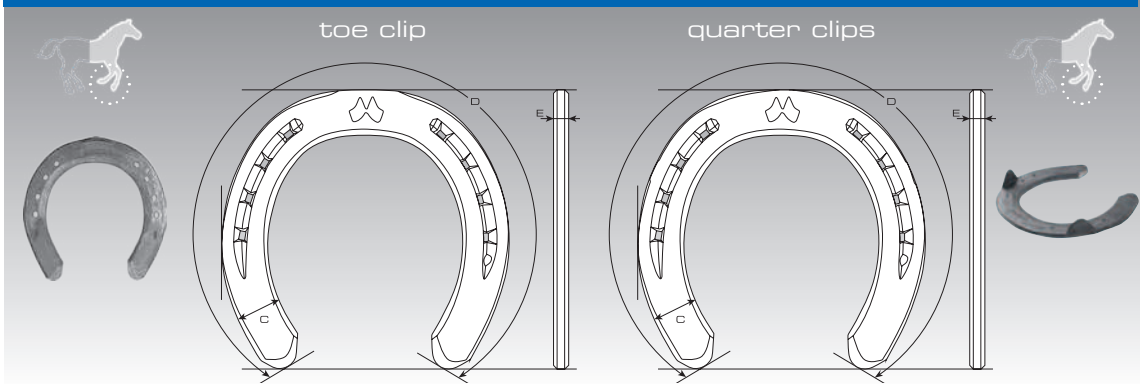
EXL®



E-slim



ESL-Pitch™



22x8

Size	C	D	E
000	22.3	328	8.5
00	22.5	344	8.6
0	22.8	360	8.7
1	23.0	376	8.8
2	23.3	392	8.9
3	23.5	408	9.0
4	23.8	427	9.1

25x8

Size	C	D	E
3	25.5	408	9.0
4	25.8	427	9.1
5	25	444	9.3



LiBero[®] Concave 8 mm



The LiBero[®] Concave is a versatile concave shoe with extra traction.

The LiBero[®] Concave is a dropped forged shoe which offers the benefits of a traditional concave shoe and the versatility of the LiBero[®] range

- Concave profile for enhanced traction
- 5 nail hole pattern for versatile nailing
- Additional width and thickness without added weight
- Ideal for eventing and jumping horses
- Easy-to-use stud hole guide



Flush Clips



Extended Crease Design



Comfort Sole Relief



Anatomical Branch Concept



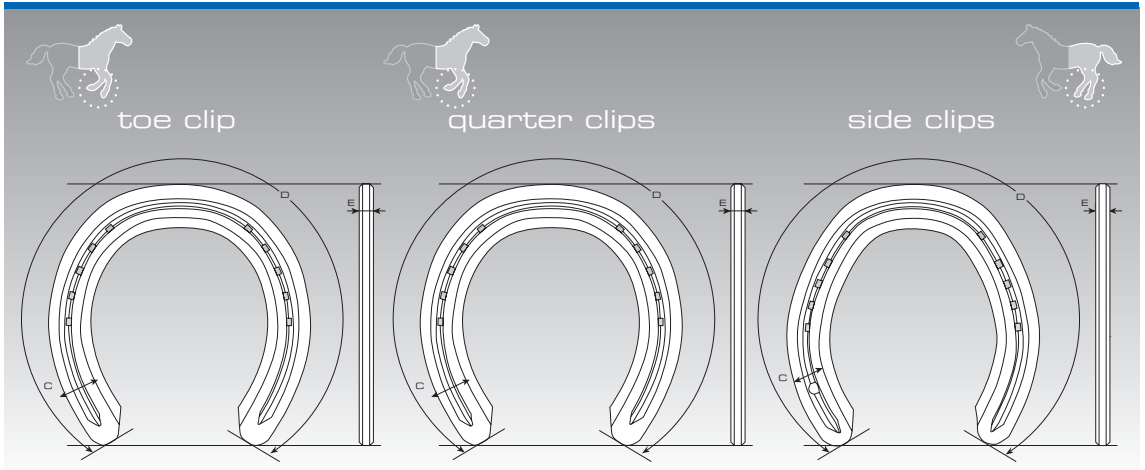
Extra Rim Traction

22x8 Front

Size	C	D	E
00	21.7	-	8.3
0	22	-	8.5
1	22.3	-	8.7
2	22.6	-	8.8
3	22.9	-	8.9

22x8 Hind

Size	C	D	E
00	21.7	-	8.3
0	22	-	8.5
1	22.3	-	8.7
2	22.6	-	8.8
3	22.9	-	8.9



Underside



Hoof side



Underside



Hoof side



Underside



Hoof side

Front shoes

Toe clip

Sizes 2*0 - 3

Quarter clips

Sizes 2*0 - 3

Hind shoes

Side clips

Sizes 2*0 - 3

Recommended nails for this product



ESL-Pitch™



E-slim



ARC®



Concave®



HammerHead™

LiBero[®] Concave 10 mm



The LiBero[®] Concave is a versatile concave shoe with extra traction.

- Enhanced traction with a concave profile
- 5 nail hole pattern on each branch for versatile nailing options
- Additional width and thickness without added weight
- Suitable for multiple disciplines with its versatility



Flush Clips



Extended Crown Design



Comfort Sole Relief



Anatomical Branch Concept



Extra Rim Traction



Underside



Hoof side



Front shoes

Model symmetrical

Toe clip

Sizes 2*0, 0 - 4

Hind shoes

Model typical left and right

Side clips

Sizes 2*0, 0 - 4

Recommended nails for this product



ESL-Pitch™



E-slim



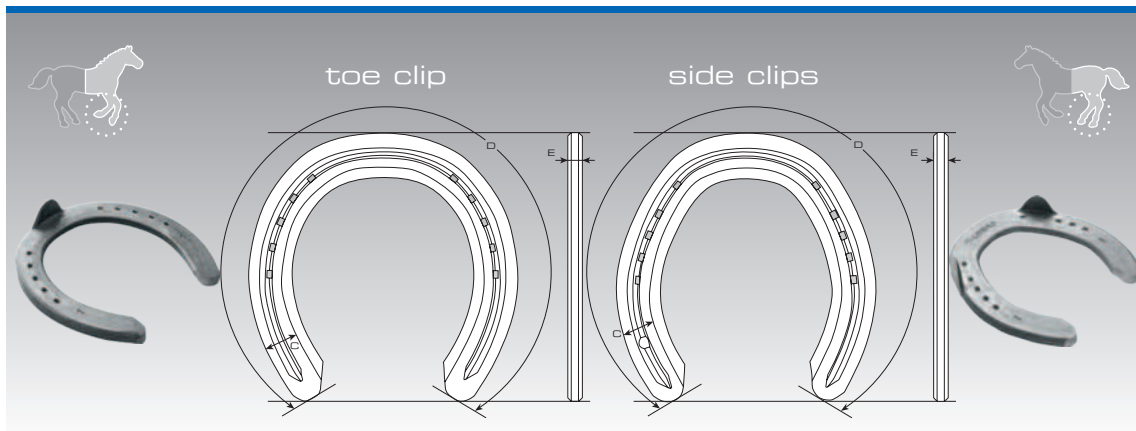
ARC®



Concave®



HammerHead™



20x10 Front

Size	C	D	E
2*0	19.2	-	9.6
0	19.6	-	9.8
1	20	-	10

20x10 Hind

Size	C	D	E
2*0	19.2	-	9.6
0	19.6	-	9.8
1	20	-	10

22x10 Front

Size	C	D	E
1	22.3	-	10
2	22.6	-	10.1
3	22.9	-	10.2
4	23.2	-	10.3

22x10 Hind

Size	C	D	E
1	22.3	-	10
2	22.6	-	10.1
3	22.9	-	10.2
4	23.2	-	10.3



Equi-Librium®



Science Based



Link Load Reduction



Comfort Sole Relief



Section-To-Size



Flush Clips

Equi-Librium® is a scientifically researched horseshoe prioritizing horse welfare and performance. Proven benefits include enhanced breakover and support, making it ideal for performance and turn-intensive work.

- Flexible design to fit various hoof shapes
- Wide range of sizes and sections available
- Easy shoe adaptations with innovative features
- Anatomically shaped for optimal fit
- Section-To-Size: dimensions change with shoe size
- Edges broken or boxed for improved performance
- Clips are positioned between the first and second nailhole to respect the hoof mechanism



Underside



Hoof side

Front shoes

Model symmetrical

Side clips

Sizes 0 - 4

Recommended nails for this product



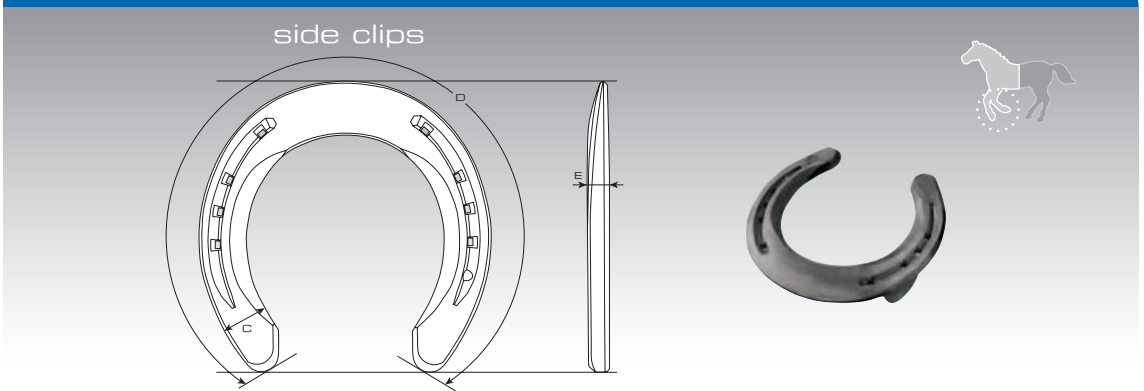
E, E-slim



EXL Pitch



Concave®



Front

Size	C	D	E
0	22	365	9.3
1	22.5	380	9.5
2	23	395	9.7
3	23.5	415	9.9
4	24	440	10.1



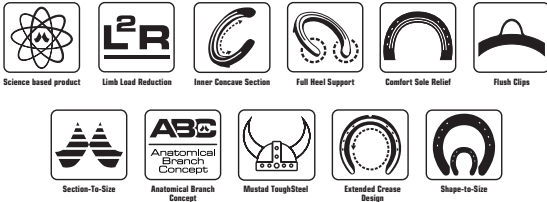
Equi-Librium® Air



Equi-Librium® AIR: Science-based design for improved breakover and coordination. Anatomical shape, rounded toe, and section-to-size design for proper fit and time-saving. Available for front and hind feet.

AIR front model is 15% lighter than the standard Equi-Librium

- Distinctive Equi-Librium® rolled toe, more pronounced in the hind model
- Concave section through the toe provides extra grip
- Additional width in the heels for optimal support
- Clips are positioned between the 1st and 2nd nail holes providing stability

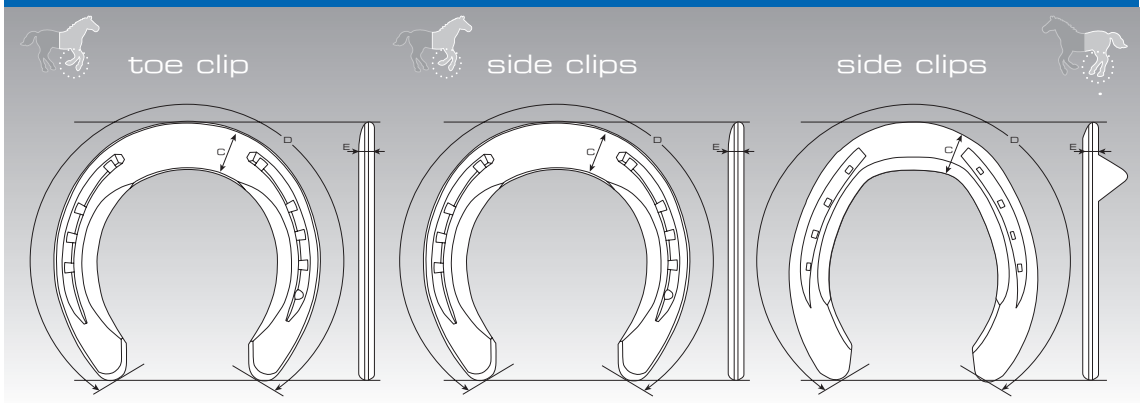


Front

Size	C	D	E
3*0	24.2	20.6	7.84
2*0	24.9	21.1	8.09
0	25.7	21.6	8.36
1	26.4	22.7	8.56
2	26.4	22.7	8.65
3	28	23.4	9.11
4	28.9	24.1	9.36

Hind

Size	C	D	E
3*0	24.2	20.6	7.87
2*0	24.8	21.2	8.1
0	25.6	21.8	8.35
1	26.3	22.3	8.61
2	27.1	22.9	8.66
3	27.9	23.5	9.12
4	28.8	24.2	9.37



Underside



Hoof side



Underside



Hoof side



Front shoes

Model symmetrical

Toe clip

Sizes 3*0, 2*0, 0 - 4

Model typical left and right

Side clips

Sizes 3*0, 2*0, 0 - 4

Hind shoes

Model typical left and right

Side clips

Sizes 3*0, 2*0, 0 - 4

Recommended nails
for this product



ESL-Pitch™



E-slim



Concave®

Equi-Librium® Aluminium



Equi-Librium® is the top choice for sport horses, enhancing performance and reducing injuries. Aluminum version offers smooth performance with less weight for an edge in competition.

- 65% lighter than steel, no insert for optimal wear pattern, matches steel durability.



Science Tested



Limb Load Reduction



Comfort Sole Relief



Section-To-Size



Flush Clips



Hard Alu



Underside



Hoof side

Front shoes

Model typical left and right

Side clips

Sizes 3*0, 2*0, 0 - 4

Recommended nails
for this product



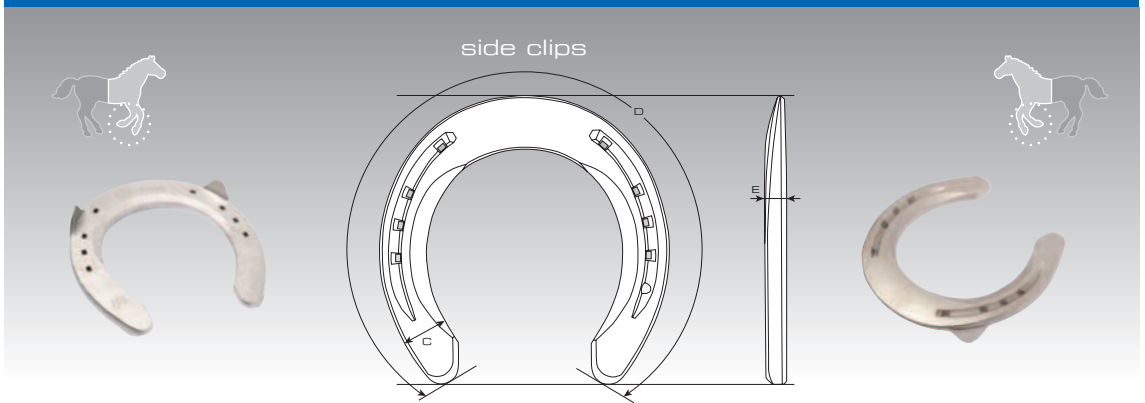
ARC®



Concave®



E-slim



Front

Size	C	D	E
3*0	21	335	9.2
2*0	21.5	350	9.7
0	22	365	10.2
1	22.5	380	10.5
2	23	395	10.8
3	23.5	415	11.1
4	24	440	11.5



DynaMic



The DynaMic shoe is an upgraded version of our DM model, with added features based on customer feedback, expert input, and production innovations. It delivers improved shoeing results with less effort for farriers.

- Side Clips are placed between the 1st and 2nd nailhole in front models.



Full Heel Support



Comfort Sole Relief



Section-To-Size



Anatomical Branch Concept



Centre Fit Point



Underside



Hoof side



Front shoes

Model symmetrical

Toe clip

Sizes 2*0 - 7

Side clips

Sizes 0 - 7

Hind shoes

Model typical left and right

Side clips

Sizes 2*0 - 7

Recommended nails for this product



EXL®



VF-Pro



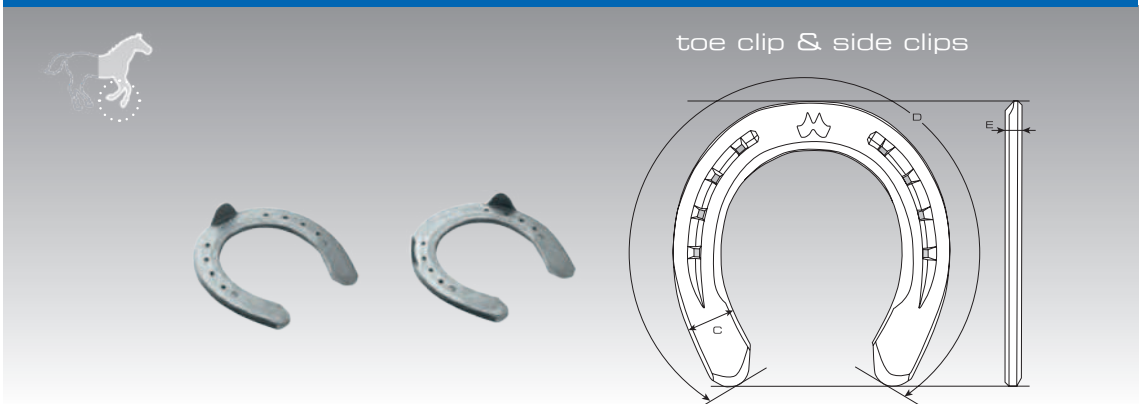
E-slim



JC



MX



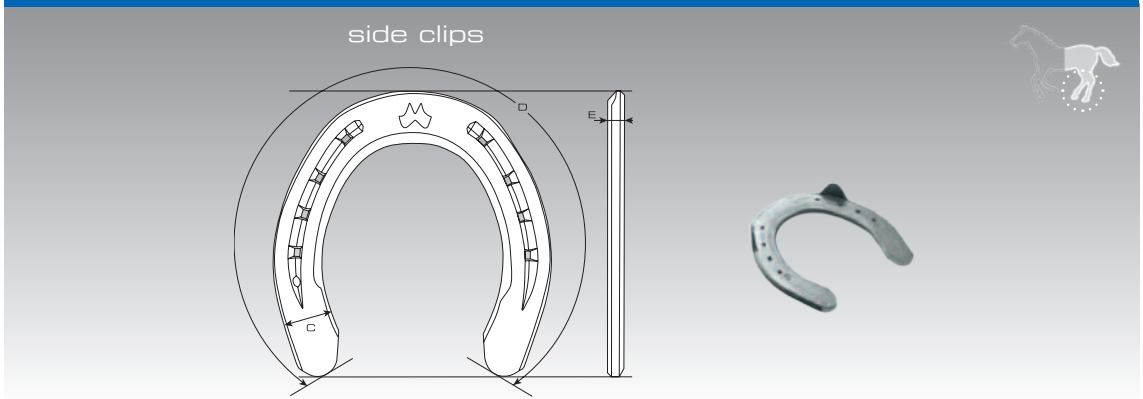
19x8 Front

Size	C	D	E
2*0	19	307	7.7
0	19.5	323	7.8
1	20	339	7.8
2	20.3	356	7.9
3	20.5	371	7.9

22x8 Front

Size	C	D	E
2	22	356	7.9
3	22.3	371	7.9
4	22.5	387	8
5	22.8	403	8
6	23	421	8.1
7	23.3	433	8.1





19x8 Hind

Size	C	D	E
2*0	19	300	7.7
0	19.5	315	7.8
1	20	331	7.8
2	20.3	346	7.9
3	20.5	362	7.9
4	20.8	377	8

22x8 Hind

Size	C	D	E
2	22	346	7.9
3	22.3	362	7.9
4	22.5	377	8
5	22.8	393	8
6	23	411	8.1
7	23.3	424	8.1



BaseMax



The Mustad BaseMax is a European horseshoe with traditional-style clips drawn from the shoe web. Coarser nail holes allow wider fit for hooves with thicker walls.

- Flexible sizing and sections with distinct left/right shapes
- Longer outside branch and coarser nail holes
- Sloped heels for fronts, upright for hinds



Underside



Hoof side

Front shoes

Model typical left and right

Toe clip

Sizes 4*0 - 5

Hind shoes

Model typical left and right

Side clips

Sizes 2*0 - 5

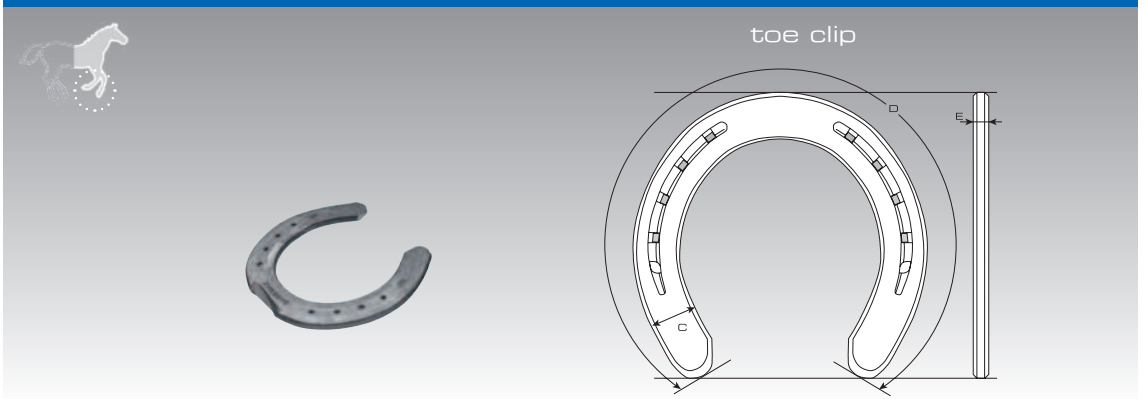
Recommended nails for this product



E, E-slim



EXL®



20x8 Front

Size	C	D	E
4*0	20	313	8
3*0	20	326	8

25x8 Front

Size	C	D	E
1	25	374	8
2	25	392	8
3	25	415	8
4	25	438	8
5	25	451	8

25x10 Front

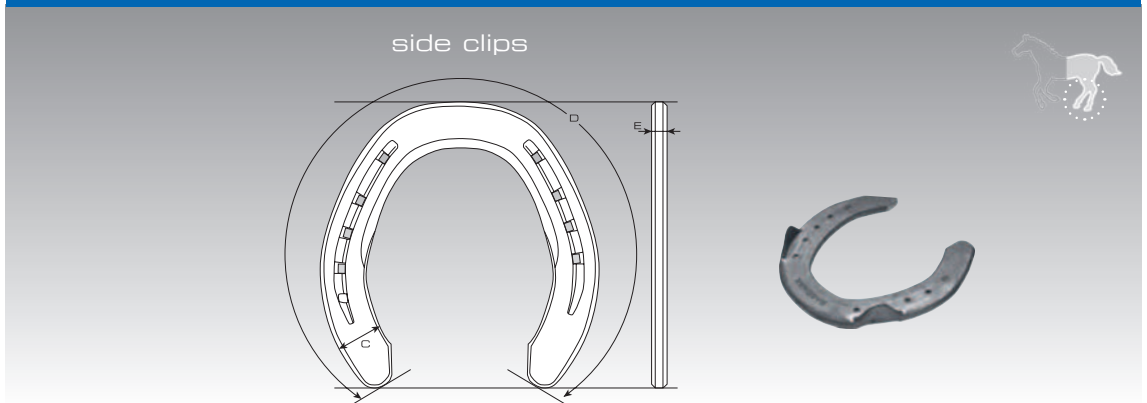
Size	C	D	E
2	25	392	9.5
3	25	438	10
4	25	438	10
5	25	451	10

22x8 Front

Size	C	D	E
2*0	22	340	8
0	22	355	8
1	22	374	8
2	23	392	8
3	23	415	8
4	23.3	-	8.1

22x10 Front

Size	C	D	E
1	22	374	9.5
2	23	392	9.5
3	23	415	10



22x8 Hind

Size	C	D	E
2*0	22	228	8
0	22	343	8
1	22	361	8
2	23	378	8
3	23	398	8

25x8 Hind

Size	C	D	E
1	25	361	8
2	25	378	8
3	25	398	8
4	25	418	8
5	25.5	438	8



Mustad SM



The Mustad SM shoe is designed for farriers practicing the traditional Swedish shoeing technique. The front shoe is slightly square-toed, aiding the break-over. Both front and back shoes are symmetrical with toe clips. The shoe is easy to shape, with its slightly curved branches. Sole relief on the hoof surface of the shoe helps preventing any bruising of the sole in the toe area. Available in a large range of sizes, with 2 or 4 stud holes, the Mustad SM shoe offers superior support and comfort for your Scandinavian horse.



Underside



Hoof side



Front shoes

Model symmetrical

Toe clip

Sizes 8*0 - 5

Hind shoes

Model symmetrical

Toe clip

Sizes 8*0 - 5

Recommended nails for this product



E, E-slim



EXL®



ARC®

Concorde Steel



The St. Croix Forge Concorde Steel shoe offers front and hind shapes with a deep crease and softened edges for traction and durability in lightweight steel. A durable alternative to aluminum.



Centre Fit Point



Limb Load Reduction



Comfort Sole Relief



Flank Clips



Underside



Hoof side



Front shoes

Model symmetric, concave

Toe clip

Sizes 2 - 8

Unclipped

Sizes 2 - 7

Hind shoes

Model symmetric, concave

Toe clip

Sizes 2 - 8

Side clips

Sizes 2 - 8

Recommended nails for this product



Swift®



FJ®



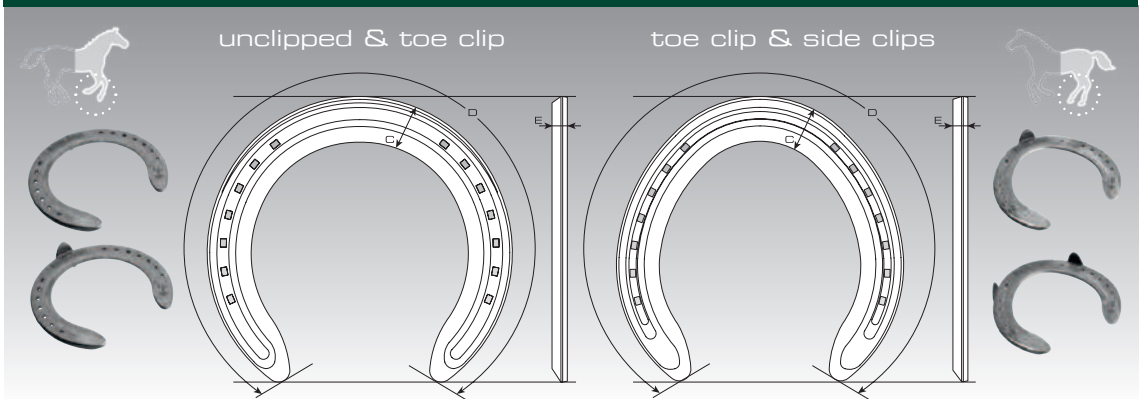
ASV



FJ® Slim



HammerHead™



Front

Size	C	D	E
2	18	298	8
3	18	311	8
4	18	321	8
5	19	332	8
6	20	346	8
7	21	360	8
8	22	375	8

Hind

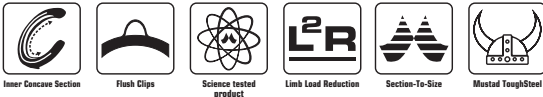
Size	C	D	E
2	18	287	8
3	18	298	8
4	18	311	8
5	19	324	8
6	20	337	8
7	21	349	8
8	22	368	8



Concorde Equi-Librium® Steel



Our Equi-Librium® design now adapted specifically for race horses! This shoe offers the perfect balance between peak performance and overload, by an increased fluency of break-over. Its anatomical shape enables the horse to move more easily in any direction, the peak load during hoof-unrollment decreases substantially. Concorde Equi-Librium® has proven to enhance performance and prevent injuries. It is a v-fullered shoe.



Inner Concave Section Flush Clips Science tested product Limb Load Reduction Section-To-Size Mustad ToughSteel



Underside



Hoof side



Front shoes

Model symmetric

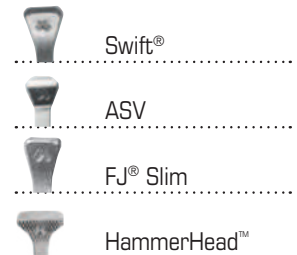
Toe clip

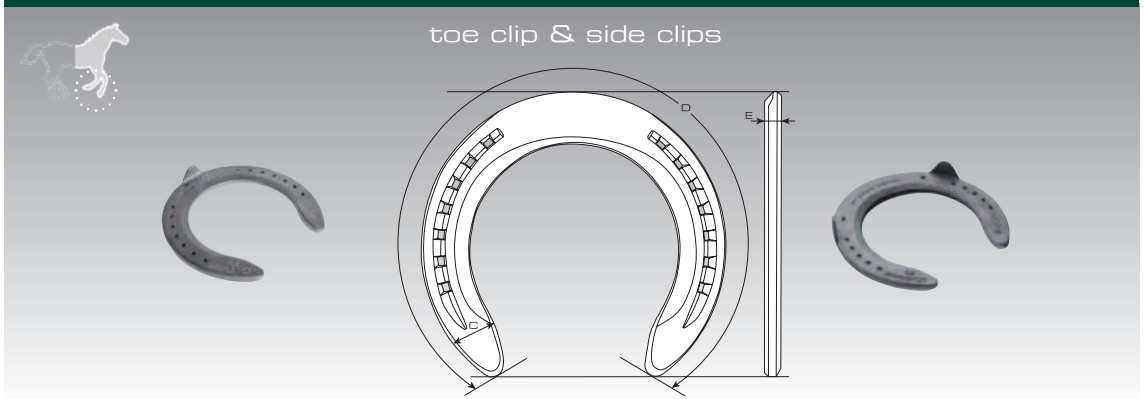
Sizes 4 - 8

Side clips

Sizes 4 - 8

Recommended nails for this product





Front toe clip

Size	C	D	E
4	18.8	321.5	8
5	19.7	334.2	8
6	20.4	347.7	8
7	21.4	362	8
8	22.3	376.2	8

Front side clips

Size	C	D	E
4	18.8	321.5	8.6
5	19.7	334.2	8.8
6	20.4	347.7	9
7	21.4	362	9.2
8	22.3	376.2	9.4



Concorde Xtra[®] Steel



Concorde Xtra builds on the successful St. Croix Concorde range with added features for that something “Xtra”.

- Xtra traction: inside concave section
- Xtra heel support
- Xtra nailholes to give more options when nailing



Full Heel Support



Xtra Grip



Inner Concave Section



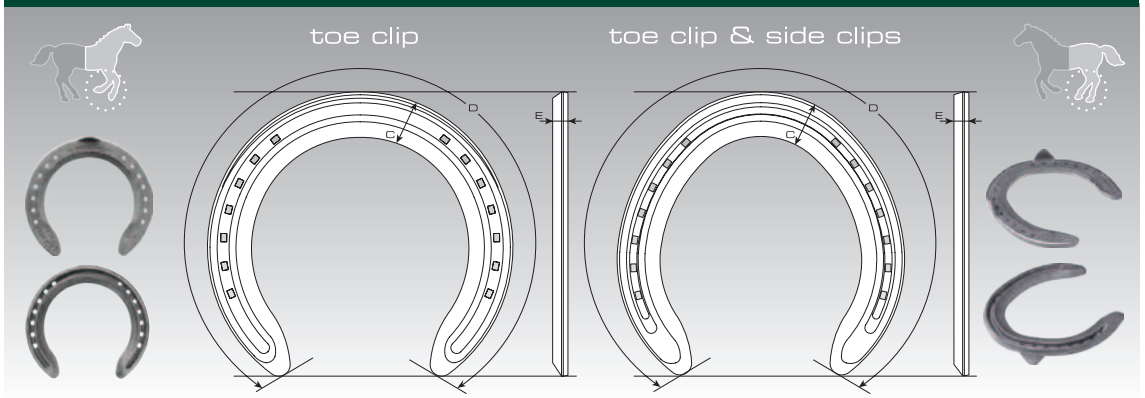
Comfort Sole Relief

Front

Size	C	D	E
4	18	321	8
5	19	332	8
6	20	346	8
7	21	360	8
8	22	375	8

Hind

Size	C	D	E
4	18	311	8
5	19	324	8
6	20	337	8
7	21	349	8
8	22	368	8



Underside



Hoof side



Underside



Hoof side



Front shoes

Model symmetric, concave

Toe clip

Sizes 4 - 8

Hind shoes

Model Left and Right, concave

Toe clip

Sizes 4 - 8

Side clips

Sizes 4 - 6

Recommended nails for this product



Swift®



ASV



FJ® Slim



HammerHead™

Concorde Aluminium



The Concorde aluminium horseshoe has the same features as the regular steel model, with the additional benefit of the degree wedge, which offers versatility on those testing feet with low BBHPA and associated conditions.



Front shoes

Model symmetric, concave

Toe clip - Degree 2

Sizes 3 - 8

Hind shoes

Model symmetric, concave

Toe clip - Degree 2

Sizes 3 - 8

Toe clip - Degree 3

Sizes 4 - 7

Recommended nails for this product



Swift®



FJ®



ASV



FJ® Slim



HammerHead™

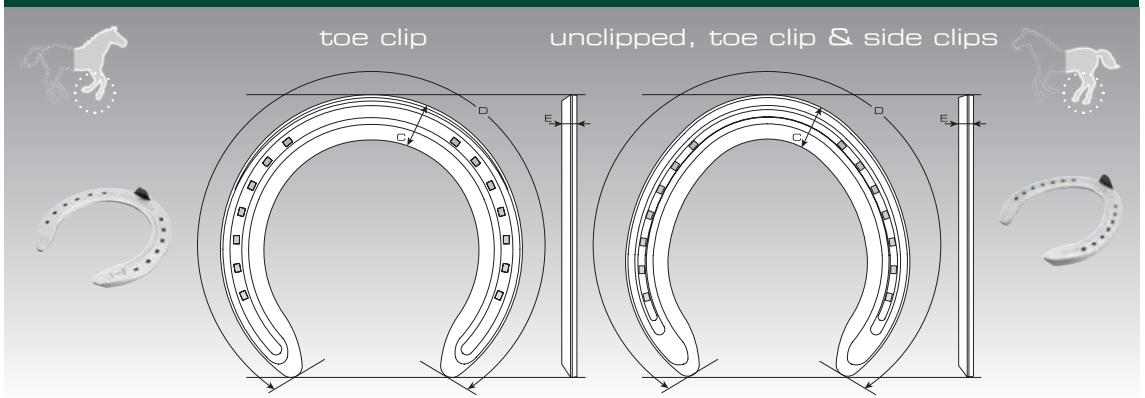


Underside



Hoof side





Front

Size	C	D	E
3	18	311	8
4	18	321	8
5	19	332	8
6	20	346	8
7	21	360	8
8	22	375	8

Hind

Size	C	D	E
3	18	298	8
4	18	311	8
5	19	324	8
6	20	337	8
7	21	349	8
8	22	368	8



Concorde Equi-Librium® Aluminium



Concorde Equi-Librium® Aluminum has identical features to the steel version with a 60% weight reduction. Tested worldwide, it provides a positive impact on wearing patterns and offers a durable rolled-toe shape.



Underside



Hoof side



Front shoes

Model symmetric

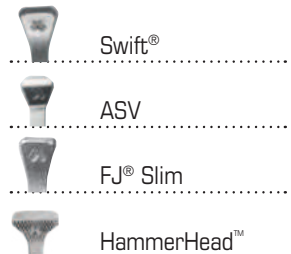
Toe clip

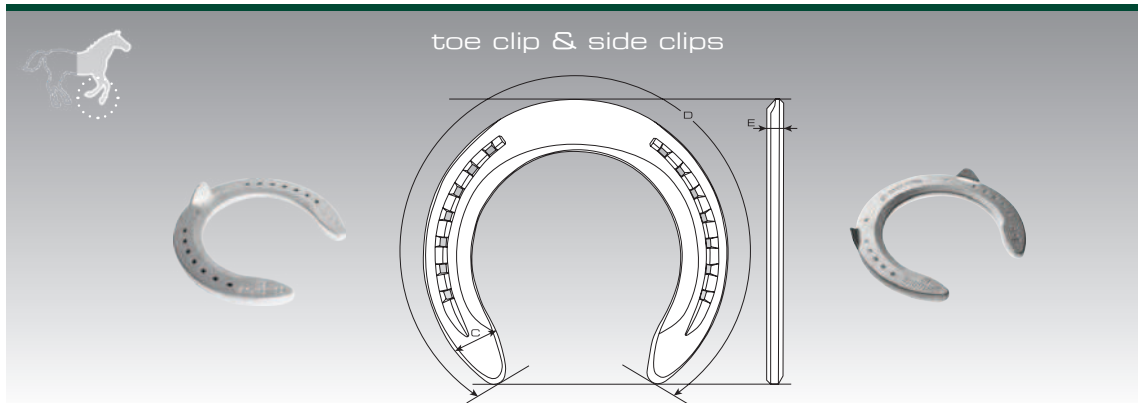
Sizes 4 - 8

Side clips

Sizes 4 - 8

Recommended nails for
this product





Front toe clip

Size	C	D	E
4	18.8	321.5	8
5	19.7	334.2	8
6	20.4	347.7	8
7	21.4	362	8
8	22.3	376.2	8

Front side clips

Size	C	D	E
4	18.8	321.5	8.6
5	19.7	334.2	8.8
6	20.4	347.7	9
7	21.4	362	9.2
8	22.3	376.2	9.4



Concorde Xtra[®] Aluminium



More features, less weight.

The Concorde Xtra[®] Aluminum combines all added properties with an extremely low weight.

- Extra web width provides additional support and stability
- Wide heels to enhance coverage on the heel section
- Distinct asymmetrical Hinten shapes to minimize adjustment when shoeing
- 60% weight reduction
- A hardmetal insert in the toe decreases wear and provides even more grip



Full Heel Support



Extra Grip



Inner Concave Section



Comfort Sole Relief



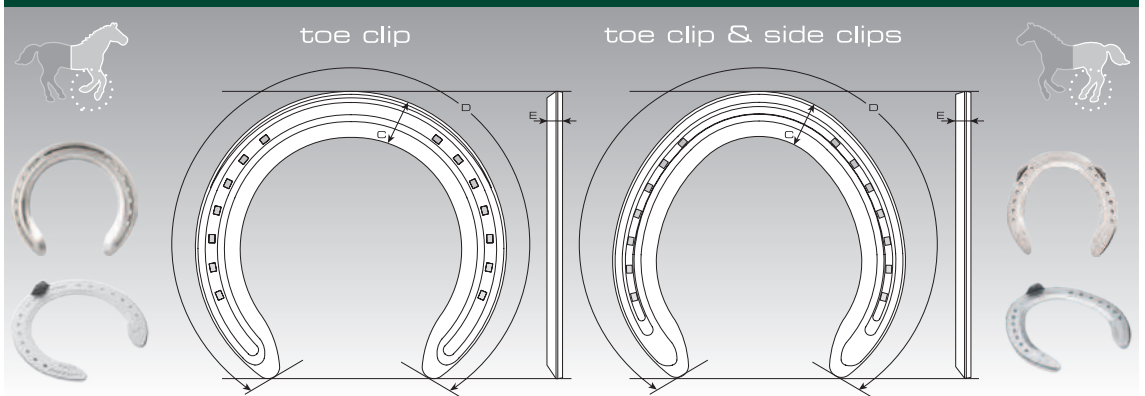
Hard Alu

Front

Size	C	D	E
4	18	321	8
5	19	332	8
6	20	346	8
7	21	360	8
8	22	375	8

Hind

Size	C	D	E
4	18	311	8
5	19	324	8
6	20	337	8
7	21	349	8
8	22	368	8



Underside



Hoof side



Underside



Hoof side



Front shoes

Model symmetric

Toe clip

Sizes 4 - 8

Hind shoes

Model symmetric

Toe clip

Sizes 4 - 8

Model Left and Right

Assymetrical

Toe clip / Side clips

Sizes 4 - 8

Recommended nails for
this product



Swift®



ASV



FJ® Slim



HammerHead™

Concorde Xtra® Air



For Xtra sensitive hooves.

The Concorde XTRA Air offers the benefit of a soft, shock-resistant, sole-protective and bonded layer. This gives the horse pressure relief on the sole when it is sensitive, without losing support in the heels.

An extra layer reduces pressure on the sole and has a shock-absorbing effect the concave section gives more traction and facilitates the removal of dirt the somewhat straighter ends of the branches provide support and stability



Underside



Hoof side

Front shoes

Model symmetric

Toe clip

Sizes 5 - 8

Recommended nails for this product



Swift®



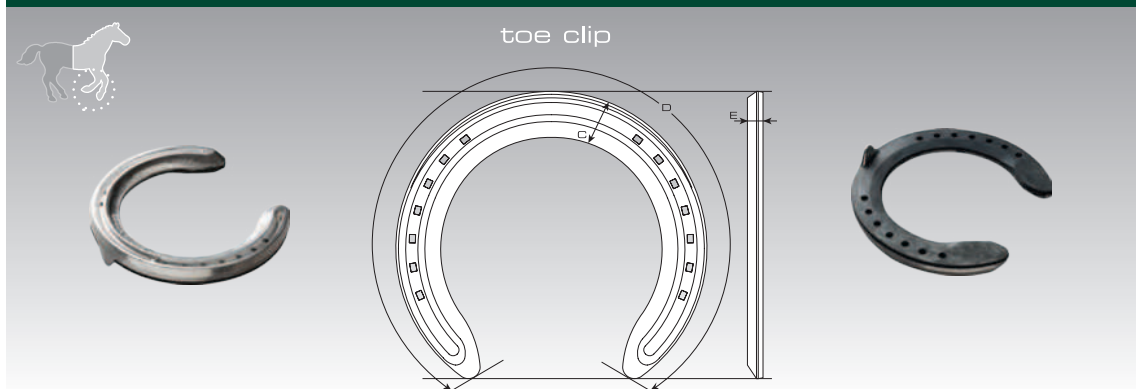
ASV



FJ® Slim



HammerHead™



Front toe clip

Size	C	D	E
5	20.6	336.8	8.5
6	20.8	350.2	8.7
7	21.2	364.3	8.9
8	21.6	378.9	9.1



Concorde Turf Aluminium



Concorde Turf Plates feature a flush toe grab, ideal for Turf Racing and training where protruding toe grabs are prohibited.

This horseshoe represents a lighter weight option than the Concorde Xtra.



Full Heel Support



Xtra Grip



Inner Concave Section



Comfort Sole Relief



Underside



Hoof side



Front shoes

Model symmetric

Toe clip

Sizes 2 - 9

Unclipped

Sizes 2 - 8

Hind shoes

Model symmetric

Toe clip

Sizes 2 - 9

Unclipped

Sizes 3 - 9

Side clips

Sizes 3 - 9

Recommended nails for this product



Swift®



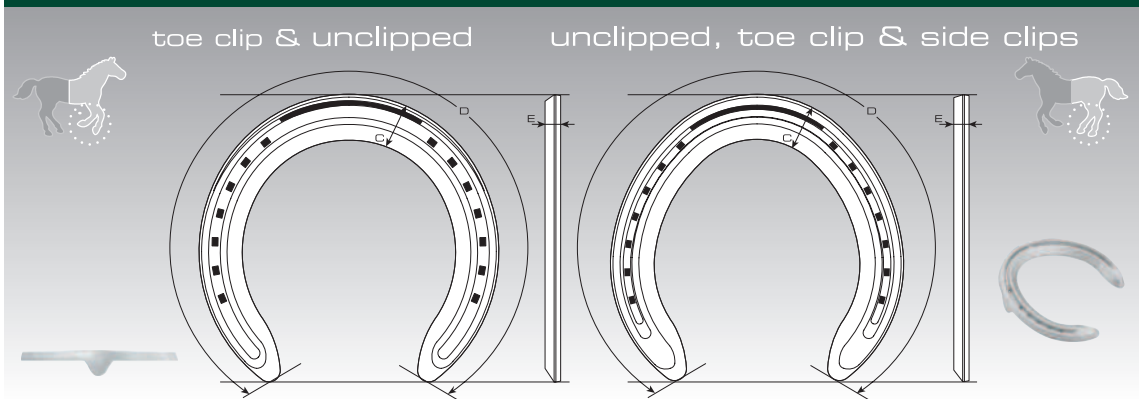
ASV



FJ® Slim



HammerHead™



Front

Size	C	D	E
2	18	298	8
3	18	311	8
4	18	321	8
5	19	332	8
6	20	346	8
7	21	360	8
8	22	375	8
9	22	384	8

Hind

Size	C	D	E
2	18	287	8
3	18	311	8
4	18	321	8
5	19	332	8
6	20	346	8
7	21	360	8
8	22	375	8
9	22	387	8

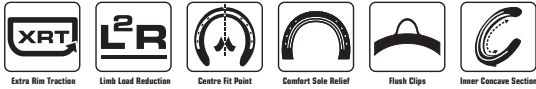


Eventer[®] Steel



Eventer shoe combines wide web protection with rim shoe traction. Heel shape offers tight fit with ample material for support and studs. Minimal shaping required.

Rolled toe and rolled quarters to enhance breakover.



Underside



Hoof side



Front shoes

Model symmetric

Toe clip

Sizes 2*0 - 3

Side clips

Sizes 2*0 - 3

Hind shoes

Model symmetric

Side clips

Sizes 2*0 - 3

Recommended nails
for this product



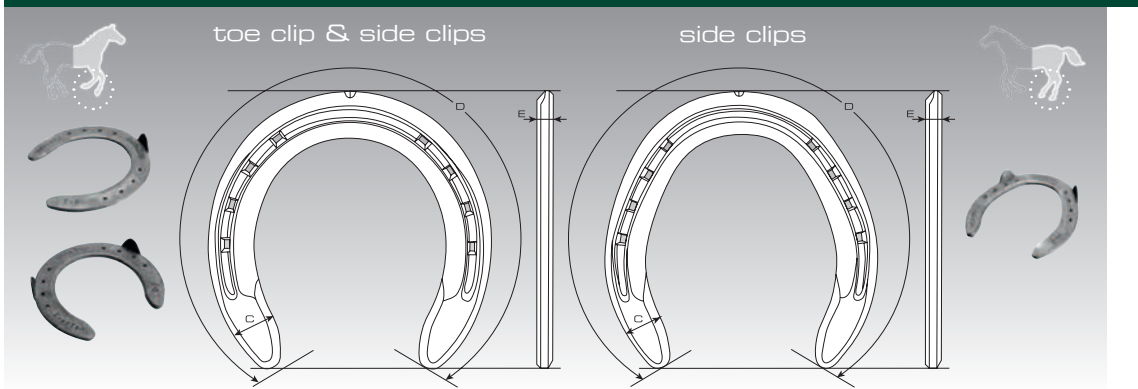
Concave[®]



E-slim



MX



Front

Size	C	D	E
2°0	21	318	8
0	21	343	9
1	22	362	9
2	22	381	9
3	23	400	10

Hind

Size	C	D	E
2°0	20	318	8
0	21	343	9
1	21	356	9
2	22	381	9
3	22	400	10



Eventer[®] Aluminium



St. Croix Forge Eventer Aluminum: Lightweight version of popular steel shoe, saves 70% weight. Deep crease, rolled toe for traction, steel insert for durability.

- 70% lighter than steel Eventer
- Forged with wear inserts
- Modern side clips
- Designed after steel Eventer but with aluminum lightness



Underside



Hoof side



Front shoes

Model symmetric

Side clips

Sizes 2*0 - 4

Hind shoes

Model symmetric

Side clips

Sizes 2*0 - 3

Recommended nails
for this product



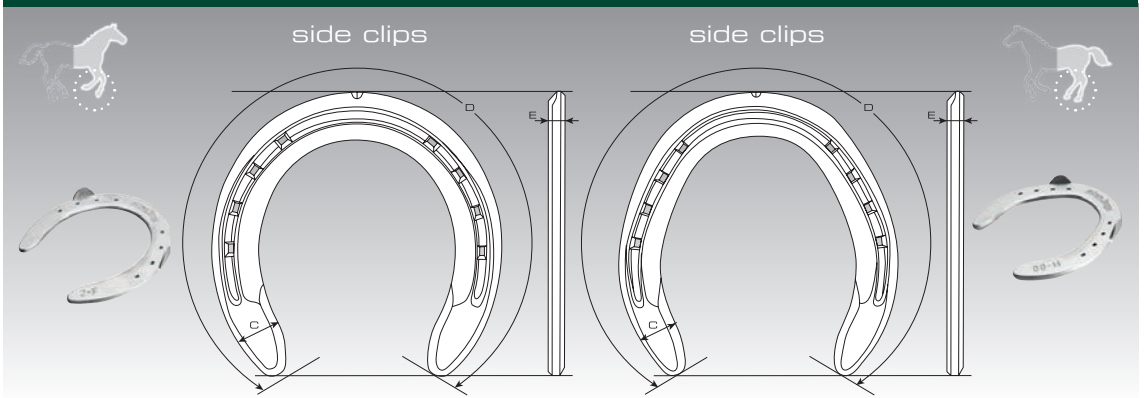
E



City



ARC[®]



Front

Size	C	D	E
2*0	21	318	8
0	21	343	9
1	22	362	9
2	22	381	9
3	23	400	10
4	23	419	10

Hind

Size	C	D	E
2*0	20	318	8
0	21	343	9
1	21	356	9
2	22	381	9
3	22	400	10



Advantage[®] Steel



Advantage horseshoe has eased breakover, excellent traction, and added support. Efficient shaping, V-crease for nail fit, built-in sole relief, and fullered toe.

- Easy break-over in any direction with bold toe design
- V-Crease for optimal nail seating and pitch
- Wide heel design for optimal heel support
- Concave inner web on ground surface for added traction and stability



Extra Rim Traction



Limb Load Reduction



Comfort Sole Relief



Flush Clips



Inner Concave Section



Underside



Hoof side



Front shoes

Model symmetric

Toe clip

Sizes 2*0 - 3

Quarter Clips

Sizes 2*0 - 3

Hind shoes

Model symmetric

Side clips

Sizes 2*0 - 3

Recommended nails
for this product



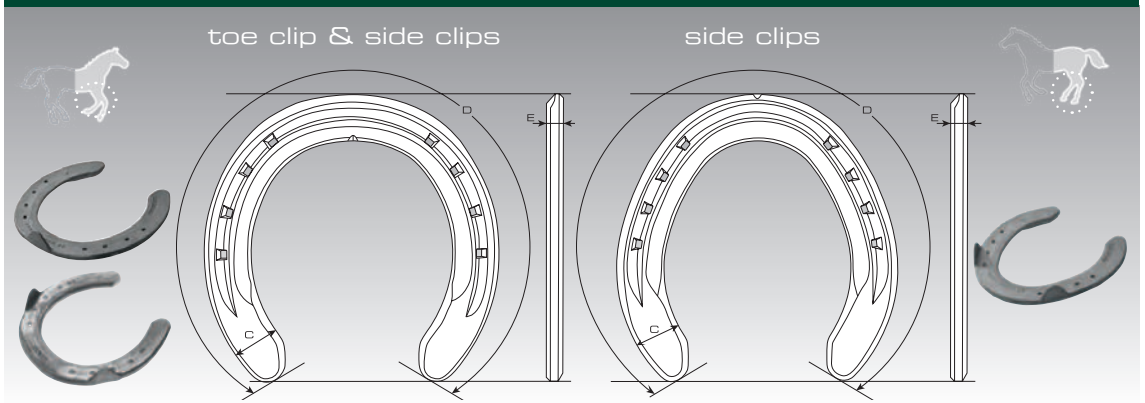
ARC[®]



Concave[®]



ESL-Pitch[™]



Front

Size	C	D	E
2*0	19	327	8
0	21	348	8
1	21	367	8.5
2	23	391	9.5
3	24	410	9.5

Hind

Size	C	D	E
2*0	19	317	8
0	21	347	8
1	21	365	8.5
2	23	389	9.5
3	24	407	9.5



Advantage[®] Aluminium



Optimal support and weight balance for sport horses. Minimal shaping, steel wear insert for toe durability, and profile design for breakover and traction on a variety of surfaces.

- Easy break-over in any direction with bold toe design
- V-Crease for optimal nail seating and pitch
- Wide heel design for optimal heel support
- Concave inner web on ground surface for improved traction



Comfort Sole Relief



Flush Clips



Inner Concave Section



Hard Alu



Underside



Hoof side



Front shoes

Model symmetric

Quarter Clips

Sizes 2*0 - 4

Front shoes Degree 3

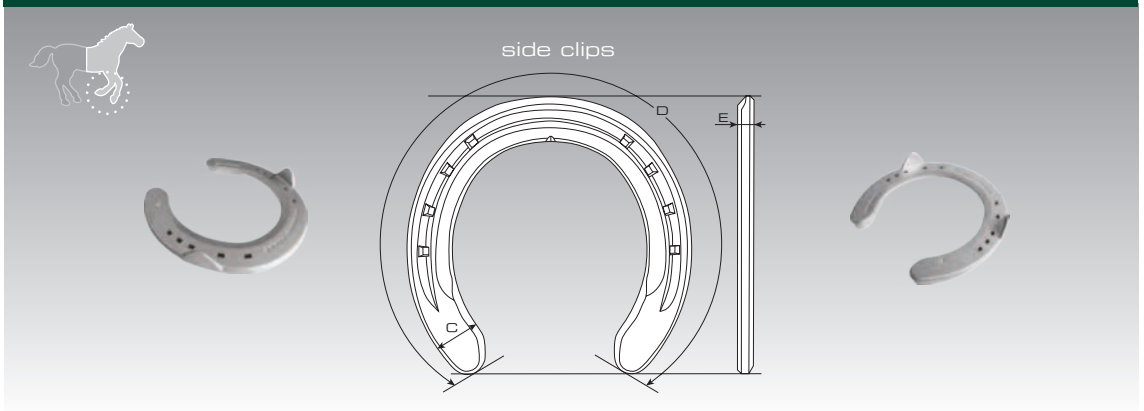
Model symmetric

Quarter Clips

Sizes 2*0 - 2

Recommended nails
for this product





Front

Size	C	D	E
2*0	19	327	8
0	21	348	8
1	21	367	8.5
2	23	391	9.5
3	24	410	9.5
4	25	440	9.5

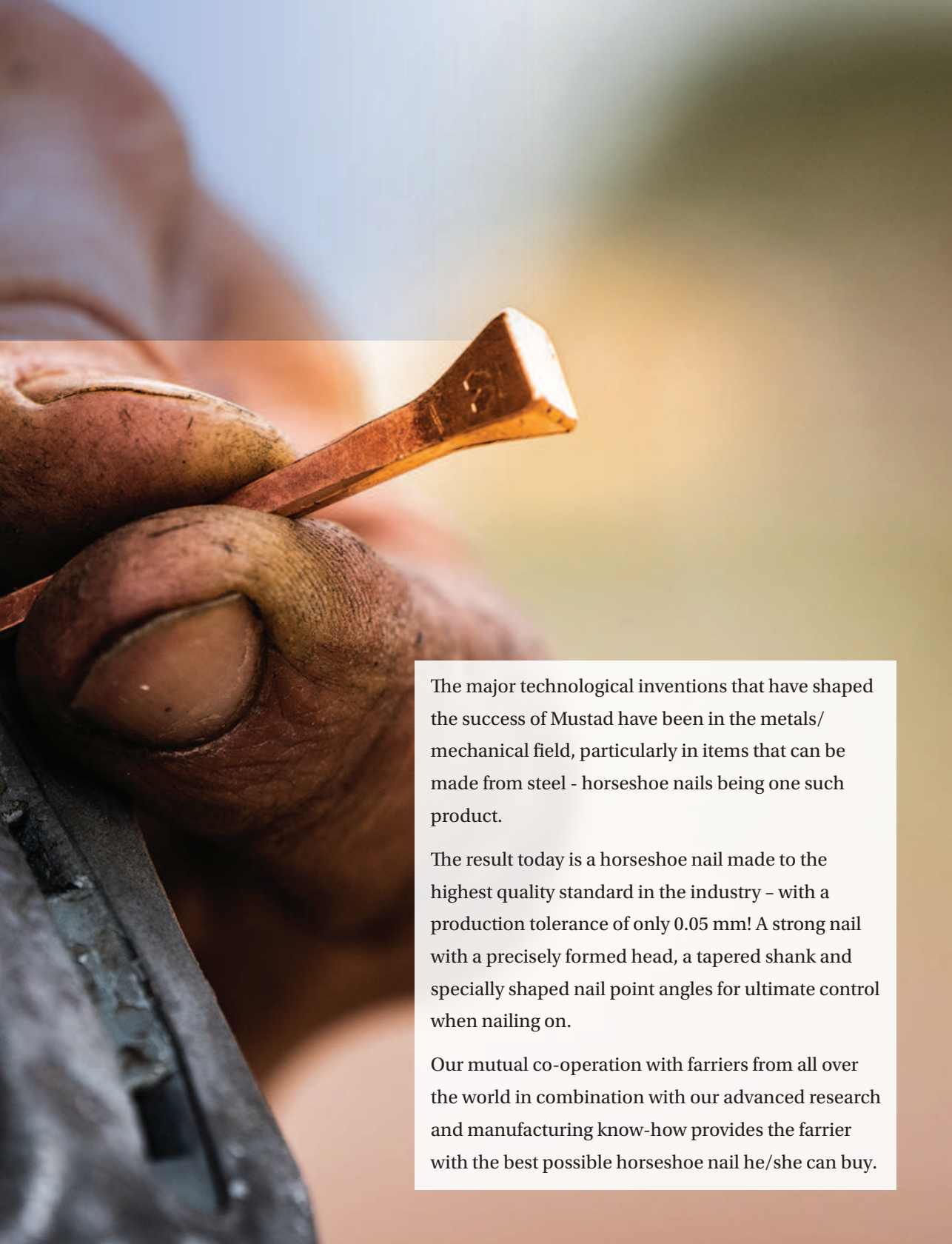




MUSTAD
DESIGNED TO PERFORM

HOOF NAILS





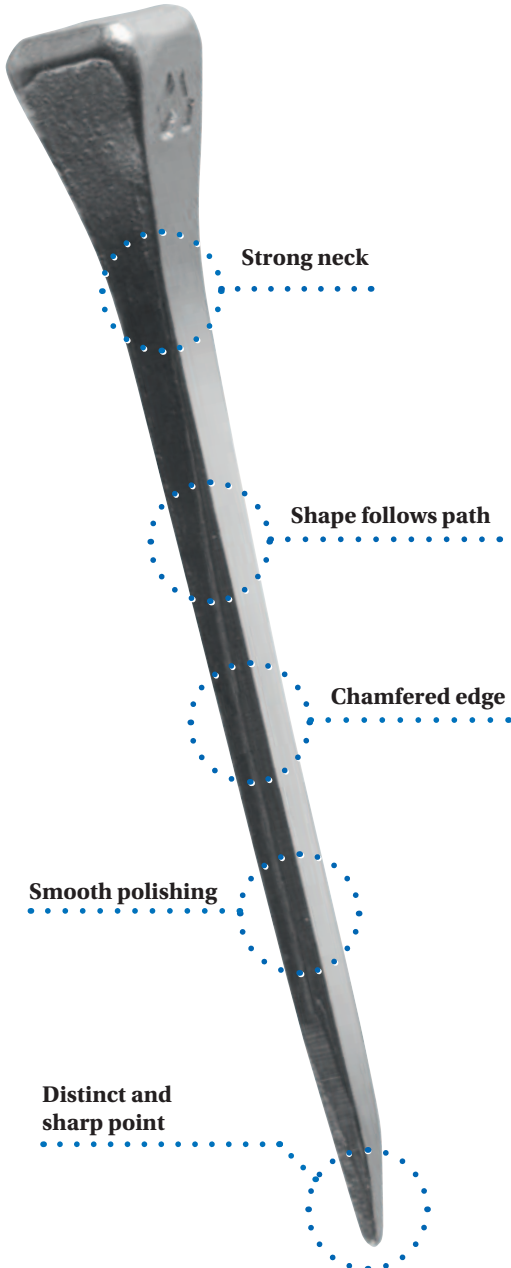
The major technological inventions that have shaped the success of Mustad have been in the metals/ mechanical field, particularly in items that can be made from steel - horseshoe nails being one such product.

The result today is a horseshoe nail made to the highest quality standard in the industry - with a production tolerance of only 0.05 mm! A strong nail with a precisely formed head, a tapered shank and specially shaped nail point angles for ultimate control when nailing on.

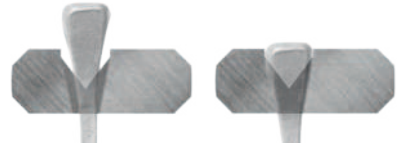
Our mutual co-operation with farriers from all over the world in combination with our advanced research and manufacturing know-how provides the farrier with the best possible horseshoe nail he/she can buy.

Hoof nails technologies

Over 190 year-long expertise allows us to manufacture a horseshoe nail made to the highest quality standard in the industry. A strong nail with a precisely formed head, a tapered shank and specially developed point angles for ultimate control when nailing on. Consistency and reliability are ensured for all Mustad nail designs, so you can choose any style of nail confidently, knowing it will perform perfectly!

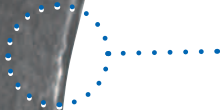
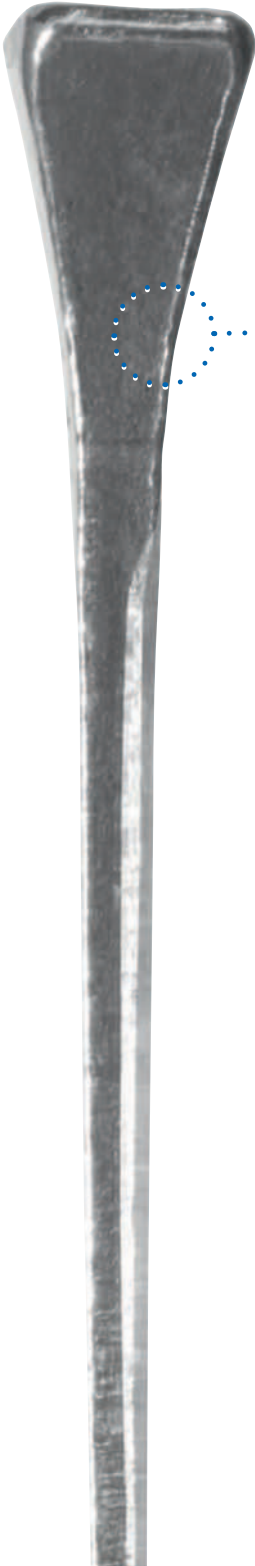


V-crease Designed for excellent fitting in V-fullered shoes, standard for Europe.



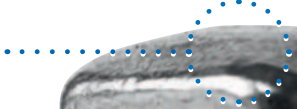
U-crease Designed for excellent fitting in U-fullered shoes, standard for Northern-America and in the European racing industry.





Mustad Pitch™ Thanks to Mustad Pitch™, a slight angle between the nail head and the shank ensures the nail naturally follows the slope of the hoof. Mustad Pitch™ allows for optimal fit and ease when nailing parallel to the hoof wall.

Mustad ARC™ The Mustad ARC™ technology features an arch shaped crown on the head, allowing for more control, easier pointing and a superior, structural detail to the quality of the nailing work delivered.



for **light** weight shoes



for **medium** weight shoes



for **heavy** weight shoes



Precision, perfection and reliability are the definitive features of Mustad nails. Production of Mustad nails has a minimal tolerance, as quality is always our prime consideration.

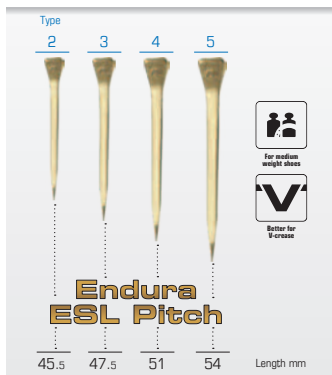


The Mustad "M" is always stamped on the inside of the nailhead and is placed on the same side as the bevel, as a simple guide for the farrier.

The Mustad Premium **Endura** nails are provided with a coating that will give you additional benefits to our already premium nails.

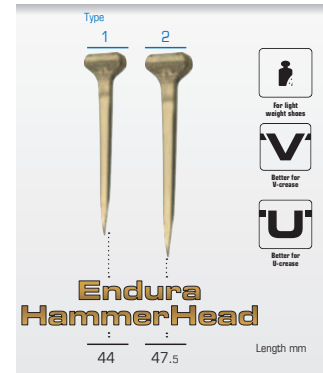
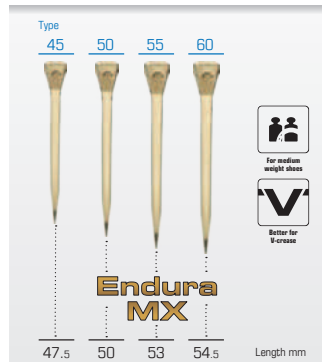
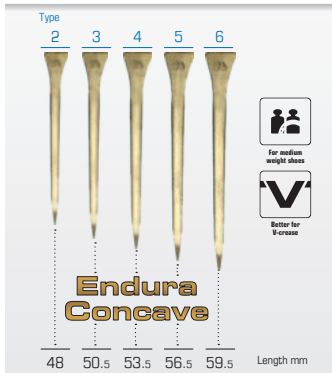
Features and benefits:

- A coating that provides **30% additional strength**, so you can use a slimmer nail
- **High quality coating improves nail driving and reduces hoofwall damage**
- **Enhanced durability and stronger clinches designed for extreme conditions and high-performance horses**
- **Leaves clean hooves without oxidation marks**



Item number	Description
21.1.51021	Mustad Endura ESL Pitch 2 (250)
21.1.51030	Mustad Endura ESL Pitch 3 (250)
21.1.51040	Mustad Endura ESL Pitch 4 (250)
21.1.51050	Mustad Endura ESL Pitch 5 (250)

Type E head
Shoes V-fullered: LiBero, BM, DM, Equi-Librium
Sizes ESL Pitch 2 (45.5mm) -
 ESL Pitch 5 (54mm)



Item number	Description
21.1.51421	Mustad Endura Concave 2 (250)
21.1.51430	Mustad Endura Concave 3 (250)
21.1.51440	Mustad Endura Concave 4 (250)
21.1.51450	Mustad Endura Concave 5 (250)
21.1.51460	Mustad Endura Concave 6 (250)

Item number	Description
21.1.51246	Mustad Endura MX 45 (250)
21.1.51250	Mustad Endura MX 50 (250)
21.1.51255	Mustad Endura MX 55 (250)
21.1.51260	Mustad Endura MX 60 (250)

Item number	Description
21.1.51611	Mustad Endura Hammer H 1 (250)
21.1.51620	Mustad Endura Hammer H 2 (250)

Type Angled head
Shoes Concave and V-fulled shoes
Sizes Concave 2 (48mm) - Concave 6 (59.5 mm)

Type E head
Shoes V-fulled: LiBero, BM, DM, Equi-Librium
Sizes MX 45 (47.5 mm) - MX 60 (54.5mm)

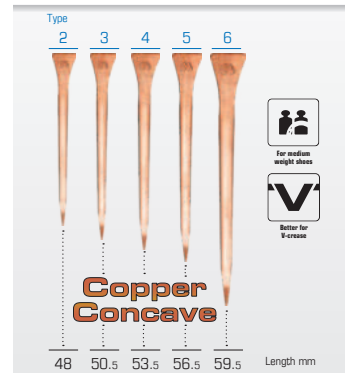
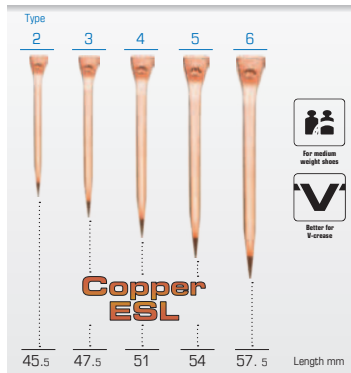
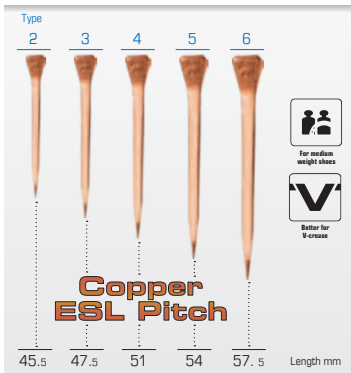
Type Wide, rectangular waffle head
Shoes U-creased and V-creased shoes
Sizes Endura HammerHead 1 (44mm) - HammerHead 2 (47.5mm)



Mustad Premium Copper nails

Features and benefits:

- Quality coating above industry standards with an outstanding layer of copper material
- Smooth surface, compliant to the original Mustad polishing standard, ensuring a good drive



Item number	Description
21.1.52720	Mustad Copper ESL Pitch 2 (250)
21.1.52730	Mustad Copper ESL Pitch 3 (250)
21.1.52740	Mustad Copper ESL Pitch 4 (250)
21.1.52750	Mustad Copper ESL Pitch 5 (250)
21.1.52760	Mustad Copper ESL Pitch 6 (250)

Type E head
Shoes V-fullered: LiBero, BM, DM, Equi-Librium
Sizes Copper ESL Pitch 2 (45.5mm) -
 ESL Pitch 6 (57.5mm)

Item number	Description
21.1.52021	Mustad Copper ESL 2 (250)
21.1.52030	Mustad Copper ESL 3 (250)
21.1.52040	Mustad Copper ESL 4 (250)
21.1.52050	Mustad Copper ESL 5 (250)
21.1.52060	Mustad Copper ESL 6 (250)

Type E head
Shoes V-fullered: LiBero, BM, DM, Equi-Librium
Sizes Copper ESL 2 (45.5mm) -
 ESL 6 (57.5mm)

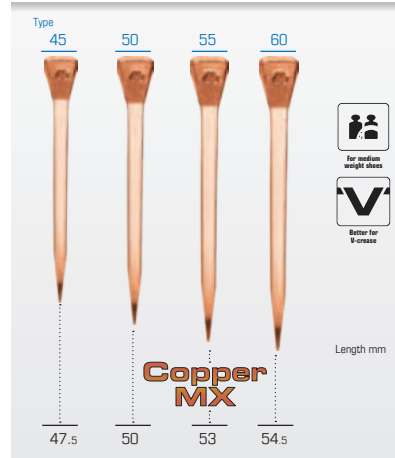
Item number	Description
21.1.52421	Mustad Copper Concave 2 (250)
21.1.52430	Mustad Copper Concave 3 (250)
21.1.52440	Mustad Copper Concave 4 (250)
21.1.52450	Mustad Copper Concave 5 (250)
21.1.52460	Mustad Copper Concave 6 (250)

Type Angled head
Shoes Concave and V-fullered shoes
Sizes Copper Concave 2 (48mm) -
 Concave 6 (59.5mm)



Item number	Description
21.1.52601	Mustad Copper HammerH 0 (250)
21.1.52611	Mustad Copper HammerH 1 (250)
21.1.52620	Mustad Copper HammerH 2 (250)

Type Wide, rectangular waffle head
Shoes U-creased and V-creased shoes
Sizes Copper HammerHead 0 (41mm) - HammerHead 2 (47.5mm)



Item number	Description
21.1.52245	Mustad Copper MX 45 (250)
21.1.52250	Mustad Copper MX 50 (250)
21.1.52255	Mustad Copper MX 55 (250)
21.1.52260	Mustad Copper MX 60 (250)

Type E head
Shoes V-fullered: LiBero, BM, DM, Equi-Librium
Sizes Copper MX 45 (47.5mm) - MX 60 (54.5mm)



Item number	Description
21.1.52310	Mustad Copper JCF 00 (250)

Type Square crown head
Shoes V-fullered shoes
Sizes Copper JCF 00 (40mm)



Item number	Description
21.1.52520	Mustad Copper ASV 1.3/4"

Type Flat head
Shoes U-creased shoes
Sizes Copper ASV 1 3/4 (44.5mm)

Precision, perfection and reliability are the definitive features of Mustad nails. Production of Mustad nails has a minimal tolerance, as quality is always our prime consideration.



The Mustad "M" is always stamped on the inside of the nailhead and is placed on the same side as the bevel, as a simple guide for the farrier.



Precision, perfection and reliability are the definitive features of Mustad nails. Production of Mustad nails has a minimal tolerance, as quality is always our prime consideration.

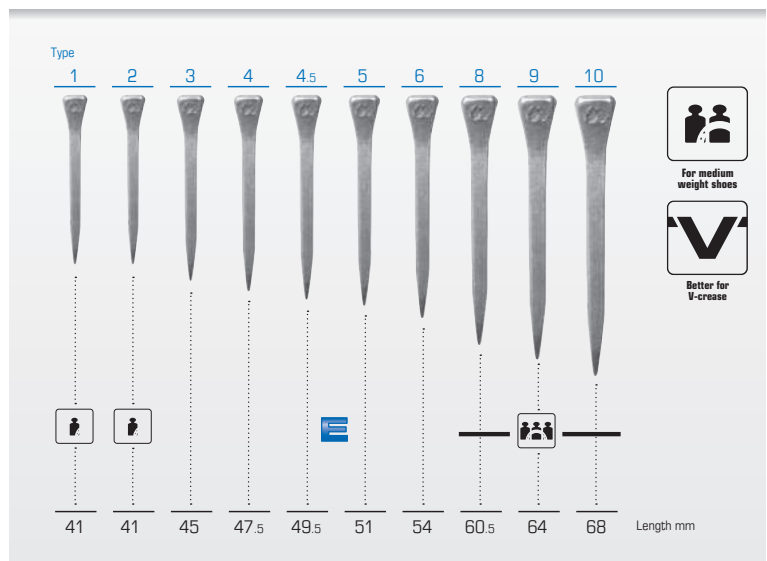


Type E head
Shoes V-fullered: LiBero, BaseMax, DM, Equi-Librium
Sizes E 1 (41mm) - E 10 (68mm)

The E nail from Mustad is the perfect choice for leisure or competition horses. It is consistent in its task every single step of the way, and can be used with many different styles of horseshoes. It fits in V-crease and plain punched horseshoes, and is available in sizes to suit any application. It has withstood the test of time and continues to be a mainstay of the Mustad nail range.



Item number	Description
21.1.10338	Mustad E 1 (250)
21.1.10302	Mustad E 2 (250)
21.1.10304	Mustad E 3 (250)
21.1.10340	Mustad E 3 (500)
21.1.10306	Mustad E 4 (250)
21.1.10341	Mustad E 4 (500)
21.1.10343	Mustad E 4.5 (250)
21.1.10308	Mustad E 5 (250)
21.1.10333	Mustad E 5 (500)
21.1.10310	Mustad E 6 (250)
21.1.10334	Mustad E 6 (500)
21.1.10313	Mustad E 8 (100)
21.1.10315	Mustad E 9 (100)
21.1.10317	Mustad E 10 (100)



Type E head
Shoes V-fullered: LiBero, BaseMax, DM, Equi-Librium
Sizes ESL 1 (44mm) - ESL 8 (64mm)



The Mustad "M" is always stamped on the inside of the nailhead and is placed on the same side as the bevel, as a simple guide for the farrier.

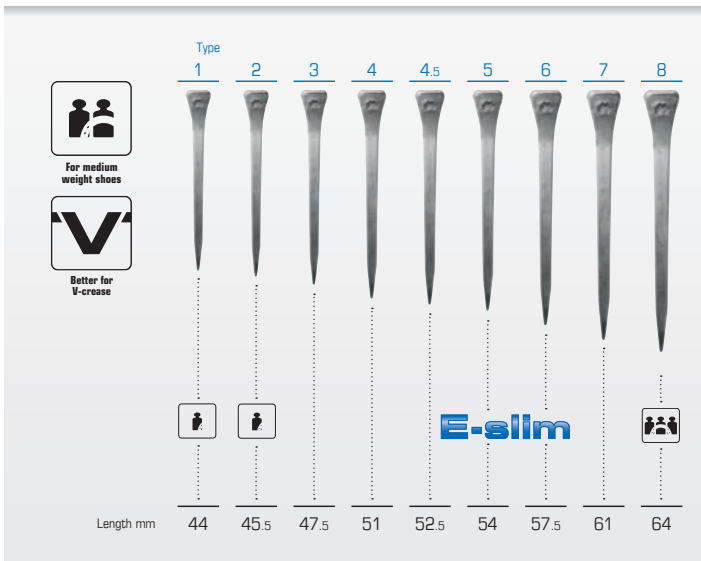


The E-Slim Nail is specifically designed for horses with thin hoof walls, such as many warmbloods and sport horses. Its longer, thinner shank allows for easy, precise, and high penetration into the hoof wall, causing minimal disruption compared with traditional nails.



Item number	Description
-------------	-------------

21.1.13801	Mustad E Slim 1 (250)
21.1.13802	Mustad E Slim 2 (250)
21.1.13804	Mustad E Slim 3 (250)
21.1.13806	Mustad E Slim 4 (250)
21.1.13843	Mustad E Slim 4.5 (250)
21.1.13808	Mustad E Slim 5 (250)
21.1.13811	Mustad E Slim 6 (250)
21.1.13836	Mustad E Slim 7 (250)
21.1.13831	Mustad E Slim 3 (500)
21.1.13832	Mustad E Slim 4 (500)
21.1.13833	Mustad E Slim 5 (500)
21.1.13837	Mustad E Slim 8 (100)





Precision, perfection and reliability are the definitive features of Mustad nails. Production of Mustad nails has a minimal tolerance, as quality is always our prime consideration.

Type E head
Shoes V-fullered: LiBero, BaseMax, DM, Equi-Librium
Sizes ESL Pitch 2 (45.5mm) - ESL Pitch 6 (57.5mm)

The Mustad ESL Pitch is the next evolution of the beloved E-Slim Nail. Combining unique and innovative features with Mustad's reliable E-Slim Nail, this superior nail fit respects the natural hoof angle and ensures a brilliant drive. The ESL Pitch takes your favorite E-Slim Nail to a whole new level.



Item number	Description
21.1.13869	Mustad ESL Pitch 2 (250)
21.1.13863	Mustad ESL Pitch 3 (250)
21.1.13864	Mustad ESL Pitch 4 (250)
21.1.13860	Mustad ESL Pitch 4.5 (250)
21.1.13865	Mustad ESL Pitch 5 (250)
21.1.13866	Mustad ESL Pitch 6 (250)




- Type Angled head
- Shoes Concave and other V-fullered shoes
- Sizes Concave 2 (48mm) - Concave 6 (59.5mm)




The Concave® Nail has a special head shape that prevents twisting in the fuller and nail hole, making sure it fits perfectly in most shoes. Its PITCH™ concept provides a small angle between the nail head and shank, supporting nailing with a correct angle to reduce pressure on the hoof wall. The extremely long and thin shank allows the option to nail higher when necessary or preferred. On the market since 2010, the Concave® Nail is a trusted and reliable choice for horseshoeing professionals.



The Mustad "M" is always stamped on the inside of the nailhead and is placed on the same side as the bevel, as a simple guide for the farrier.


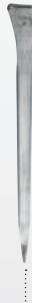
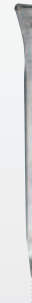




For medium weight shoes




Better for V-cress

Type

2	3	4	5	6
				
48	50.5	53.5	56.5	59.5

Length mm

Concave®





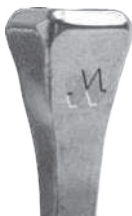
Item number	Description
21.1.14511	Mustad Concave 2 (250)
21.1.14503	Mustad Concave 3 (250)
21.1.14504	Mustad Concave 4 (250)
21.1.14505	Mustad Concave 5 (250)
21.1.14506	Mustad Concave 6 (250)



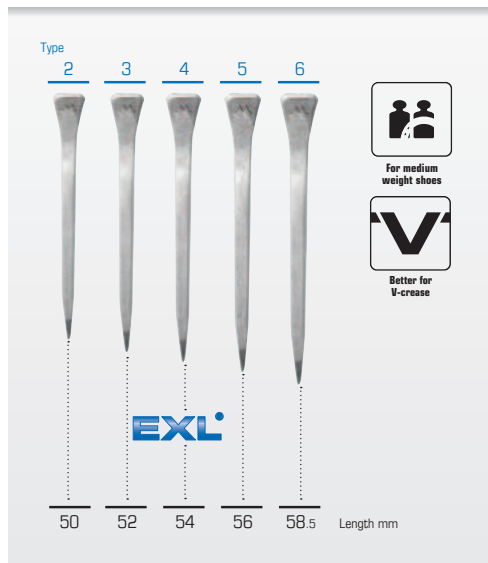
Precision, perfection and reliability are the definitive features of Mustad nails. Production of Mustad nails has a minimal tolerance, as quality is always our prime consideration.

Type E head
Shoes V-fullered: LiBero, BaseMax, DM, Equi-Librium
Sizes EXL 2 (50mm) - EXL 6 (58.5mm)

The EXL® is a quality nail designed for high nailing with minimal displacement of the hoof wall. Its reinforced neck provides an optimized, strong fit into the shoe, while its even longer and thinner shank than the E-slim ensures an excellent fit in all V-fullered horseshoes. With its superior strength, the EXL® is the perfect winter nail for all your horseshoeing needs, and is equally great for shoeing with different types of pads.



Item number	Description
21.1.14211	Mustad EXL 2 (250)
21.1.14213	Mustad EXL 3 (250)
21.1.14215	Mustad EXL 4 (250)
21.1.14217	Mustad EXL 5 (250)
21.1.14219	Mustad EXL 6 (250)



Type Pitched E-head
Shoes V-fullered
Sizes EXL Pitch 3 (52mm) - EXL Pitch 5 (56mm)

The EXL® Pitch is a cutting-edge horseshoe nail derived from the highly acclaimed EXL® nail. With its reinforced neck and enhanced, pitched head design, it delivers an even better fit as the nail locks in the bottom of the nail hole. The EXL® Pitch offers superior stability, minimizing hoof wall displacement and ensuring a secure application. Its longer and thinner shank accommodates various horseshoe styles, making it a versatile choice for all your horseshoeing needs. The EXL® Pitch is especially great in winter or when using pads, due to its length and strength.



The Mustad "M" is always stamped on the inside of the nailhead and is placed on the same side as the bevel, as a simple guide for the farrier.



Item number	Description
21.1.14243	Mustad EXL Pitch 3 (250)
21.1.14244	Mustad EXL Pitch 4 (250)
21.1.14245	Mustad EXL Pitch 5 (250)





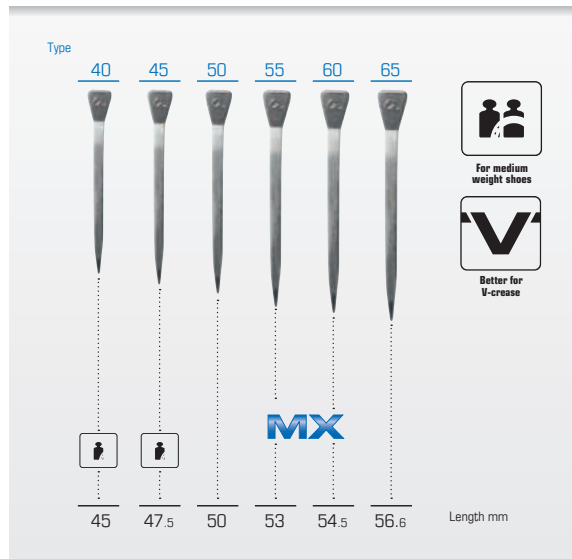
Precision, perfection and reliability are the definitive features of Mustad nails. Production of Mustad nails has a minimal tolerance, as quality is always our prime consideration.

Type E head
Shoes V-fullered: LiBero, BaseMax, DM, Equi-Librium
Sizes MX 40 (45mm) - MX 65 (56.6mm)

The Mustad MX nail was developed in 1990's, designed for use with sensitive, thin hoof walls and sport horses. It features an extremely thin blade for minimal impact on the hoof, and a distinct transition between the head and the shank for optimal fit and secure locking. This design is ideal for sport horses that require extra support and comfort.



Item number	Description
21.1.13701	Mustad MX 40 (250)
21.1.13714	Mustad MX 45 (250)
21.1.13702	Mustad MX 50 (250)
21.1.13709	Mustad MX 55 (250)
21.1.13705	Mustad MX 60 (250)
21.1.13713	Mustad MX 65 (250)



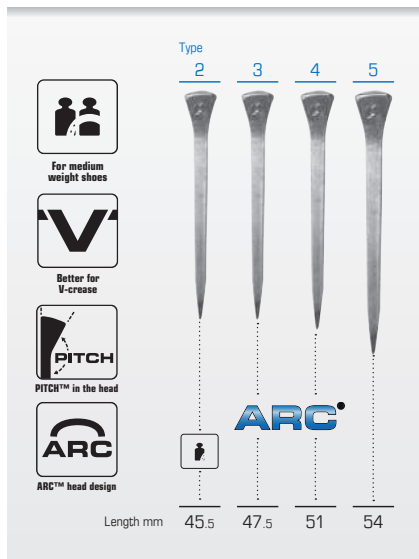
- Type Curved and angled head
- Shoes V-fullered shoes: BaseMax, LiBero, DM, Equi-Librium, Everter
- Sizes ARC 2 (45.5mm) - ARC 5 (54mm)



The innovative curved and angled head shape of the ARC® nail offers controlled drive without twisting in the fuller, as it helps center the hammer blows. The PITCH™ concept offers a small angle between the nail head and shank, reducing pressure on the hoof wall. Together with the longer, slim and strong shank, this allows for nailing at a higher point. Also works perfectly with resets.



The Mustad "M" is always stamped on the inside of the nailhead and is placed on the same side as the bevel, as a simple guide for the farrier.



The infographic displays four types of ARC nails, labeled Type 2, 3, 4, and 5, with their respective lengths in millimeters: 45.5, 47.5, 51, and 54. Key features are highlighted with icons: 'For medium weight shoes' (two people), 'Better for V-crosse' (a V-shape), 'PITCH™ in the head' (a diagram of the head angle), and 'ARC™ head design' (the ARC logo). The ARC logo is also prominently displayed at the bottom center of the infographic.



Item number	Description
21.1.13002	Mustad ARC 2 (250)
21.1.13003	Mustad ARC 3 (250)
21.1.13004	Mustad ARC 4 (250)
21.1.13005	Mustad ARC 5 (250)



Type Square crown head
Shoes V-fullered shoes
Sizes Swift OO (42mm) - Swift O (44mm)

Precision, perfection and reliability are the definitive features of Mustad nails. Production of Mustad nails has a minimal tolerance, as quality is always our prime consideration.

The Mustad Swift® nail is developed through collaboration with farriers specialized in racing disciplines, meeting the specific needs expressed by racing professionals. It has a very slim shank and a short neck, making it ideal for thin hoof walls and thin shoes. It is a great solution for racing horses.



Item number	Description
21.1.12671	Mustad Swift OO (250)
21.1.12673	Mustad Swift O (250)

Type
 OO O

For light weight shoes

Better for V-cress

Swift®

42 44 Length mm

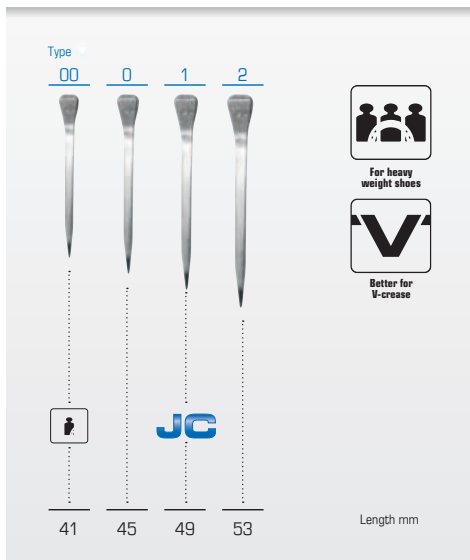
Type Square head
 Shoes V-fullered shoes, plain stamped shoes
 Sizes JC 00 (41mm) - JC 5 (65mm)



The JC nail is an traditional model originally designed by Mustad with the Swedish market in mind. It has a square, strong head, allowing it to be driven deeper into the crease.



The Mustad "M" is always stamped on the inside of the nailhead and is placed on the same side as the bevel, as a simple guide for the farrier.



Item number	Description
21.1.10502	Mustad JC 00 (250)
21.1.10522	Mustad JC 0 (250)
21.1.10506	Mustad JC 1 (250)
21.1.10508	Mustad JC 2 (250)



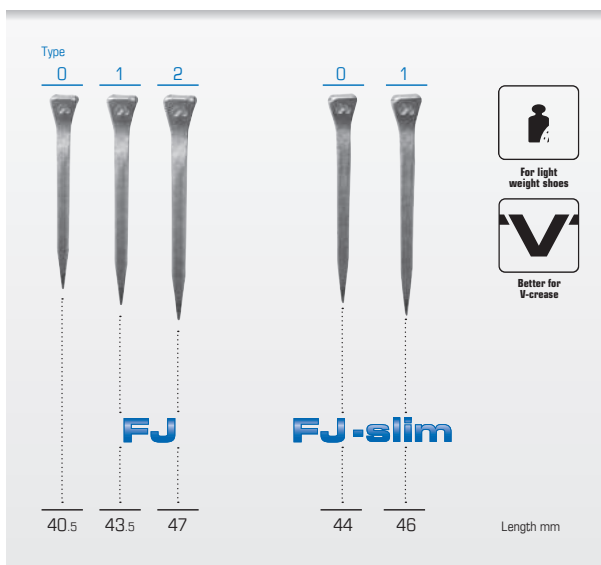
Type Square head
Shoes V-fullered shoes, plain stamped shoes
Sizes JC 0 (40.5mm) - JC 2 (47mm)

Precision, perfection and reliability are the definitive features of Mustad nails. Production of Mustad nails has a minimal tolerance, as quality is always our prime consideration.

FJ is a modern nail with slender shank, short neck and low head. All the junctions in the nail are fluid in form. The nail gives a perfect fit especially when shoeing horses using thin shoes, like race horses. In addition to racers, trotters and ponies can be reliably and safely shod using FJ nails.



Item number	Description
21.1.12602	Mustad FJ 0 (250)
21.1.12612	Mustad FJ 1 (250)
21.1.12606	Mustad FJ 2 (250)
21.1.12650	Mustad FJ 0 Slim (250)
21.1.12653	Mustad FJ 1 Slim (250)



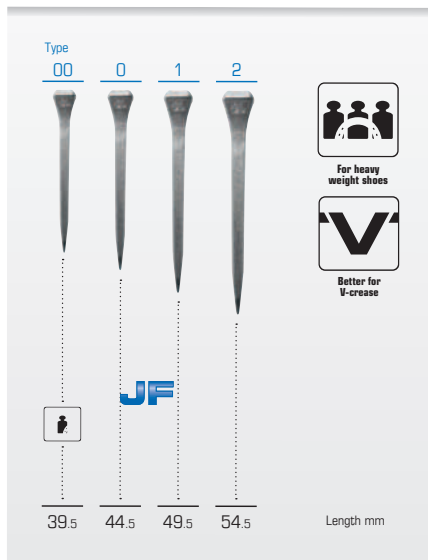
Type Square crown head
Shoes V-fullered shoes
Sizes JF 00 (39.5mm) - JF 2 (54.5mm)



The JF nail is a French style Mustad nail with a long neck and a square head. It is a popular choice due to its versatility, as it can be used in many environments and sports. It has a secure and solid fit in all Mustad V-fullered shoes, and is available in a large range of sizes.



The Mustad "M" is always stamped on the inside of the nailhead and is placed on the same side as the bevel, as a simple guide for the farrier.



Item number	Description
21.1.12402	Mustad JF 00 (250)
21.1.12433	Mustad JF 0 (500)
21.1.12435	Mustad JF 1 (500)
21.1.12436	Mustad JF 2 (500)



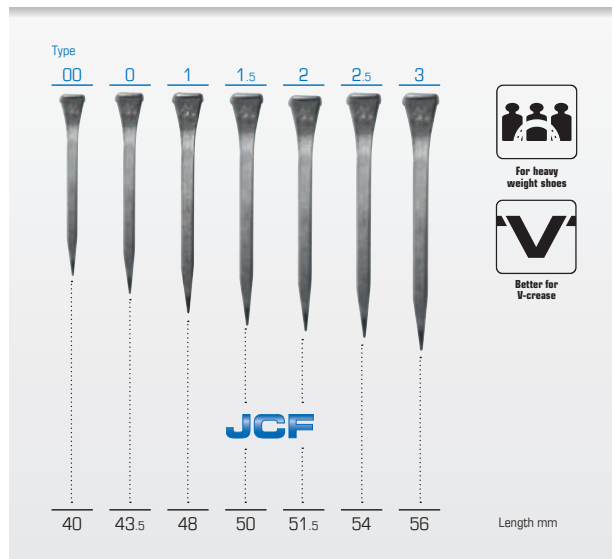
Type Square crown head
Shoes V-fullered shoes
Sizes JCF 00 (40mm) - JCF 3 (56mm)

Precision, perfection and reliability are the definitive features of Mustad nails. Production of Mustad nails has a minimal tolerance, as quality is always our prime consideration.

The JCF nail originates from France and is the ideal solution for lighter horses and ponies. It has a long neck and some features that is similar to the VF-F nail, but with less pronounced proportions, especially in regards to the head. It is great for heavier terrain demands, and fits V-fullered shoes. This multi-purpose nail provides strength and reliability.



Item number	Description
21.1.12202	Mustad JCF 00 (250)
21.1.12204	Mustad JCF 0 (250)
21.1.12206	Mustad JCF 1 (250)
21.1.12207	Mustad JCF 1.5 (250)
21.1.12208	Mustad JCF 2 (250)
21.1.12209	Mustad JCF 2.5 (250)
21.1.12210	Mustad JCF 3 (250)



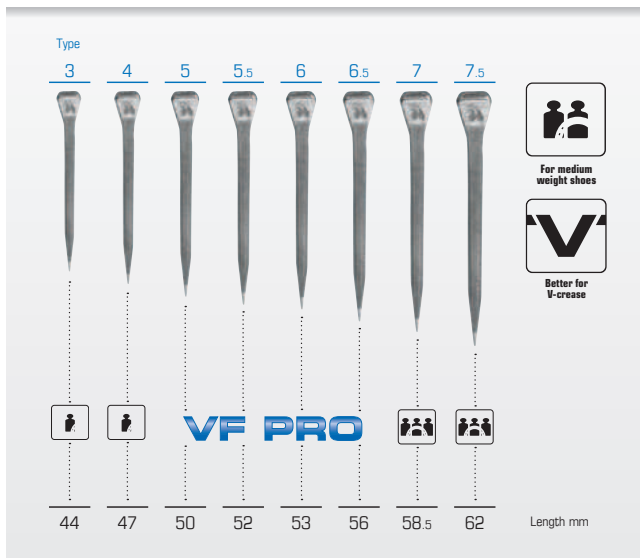
- Type Square crown headd
- Shoes V-fullered shoes
- Sizes VFP 3 (44mm) - VFP 7.5 (62mm)



The VF Pro is an innovative high-quality nail with a short neck and a square head. The design is based on the popular, traditional VF-F nail. In addition, the shank of the VF Pro is thinner and longer. This reduces damages to the hoof wall and enables a higher drive. The nail is suited to a wide range of horses, horseshoes and conditions. The smaller sizes are perfect for light horses. The VF Pro is the perfect mix of tradition and innovation.



The Mustad "M" is always stamped on the inside of the nailhead and is placed on the same side as the bevel, as a simple guide for the farrier.



Item number	Description
21.1.12353	Mustad VF Pro 3 (250)
21.1.12354	Mustad VF Pro 4 (250)
21.1.12355	Mustad VF Pro 5 (250)
21.1.12365	Mustad VF Pro 5.5 (250)
21.1.12356	Mustad VF Pro 6 (250)
21.1.12357	Mustad VF Pro 6.5 (250)
21.1.12358	Mustad VF Pro 7 (250)
21.1.12359	Mustad VF Pro 7.5 (250)



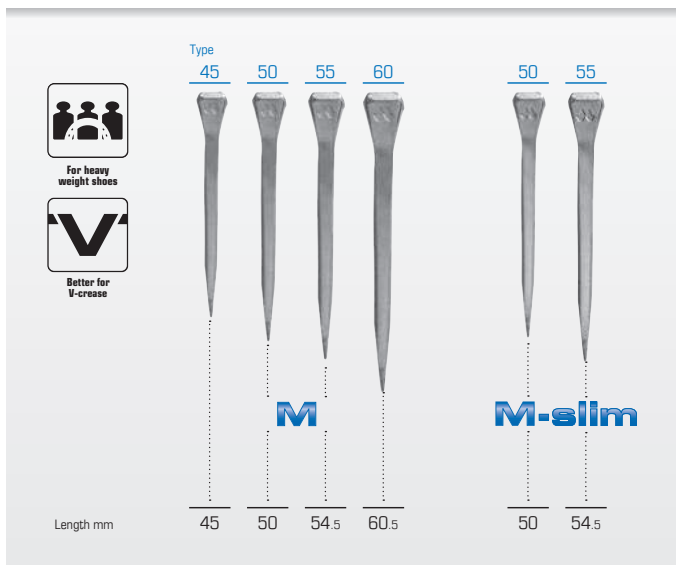
Precision, perfection and reliability are the definitive features of Mustad nails. Production of Mustad nails has a minimal tolerance, as quality is always our prime consideration.

Type Square crown head
Shoes V-fullered shoes
Sizes M 45 (45mm) - M 60 (60.5mm)

With its long neck and narrow head, the traditional, German M nail fits deeply and securely in all Mustad V-crease horseshoes, ensuring that the head is flush with the surface of the horseshoe. The M nail provides a secure fit when shoeing, giving great stability and comfort.



Item number	Description
21.1.12714	Mustad M 45 (250)
21.1.12706	Mustad M 50 (250)
21.1.12708	Mustad M 55 (250)
21.1.12710	Mustad M 60 (250)
21.1.12748	Mustad M Slim 50 (250)
21.1.12750	Mustad M Slim 55 (250)



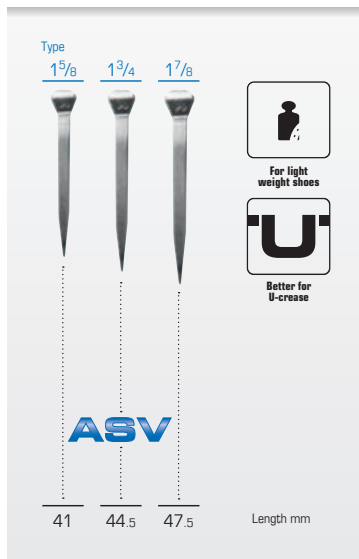
- Type Flat head
- Shoes U-creased shoes
- Sizes ASV 1⁵/₈ (41mm) - ASV 1⁷/₈ (47.5mm)



The ASV nail is an ideal choice for U-fullered horseshoes. It has American design features and a smaller head than the RN nail, ensuring a snug and firm fit in the nail hole with the head almost flush with the shoe surface. It is a great choice for most race and trotting shoes, offering a secure fit and strong hold.



The Mustad "M" is always stamped on the inside of the nailhead and is placed on the same side as the bevel, as a simple guide for the farrier.



Type
1⁵/₈ 1³/₄ 1⁷/₈

For light weight shoes

Better for U-crease

ASV

41 44.5 47.5 Length mm



Item number	Description
21.1.11502	Mustad ASV 1 ⁵ / ₈ " (250)
21.1.11531	Mustad ASV 1 ³ / ₄ " (250)
21.1.11535	Mustad ASV 1 ⁷ / ₈ " (250)



Type Flat head
Shoes U-creased shoes
Sizes RN3½ (38mm) - RN6 (51mm)

Precision, perfection and reliability are the definitive features of Mustad nails. Production of Mustad nails has a minimal tolerance, as quality is always our prime consideration.

The RN nail - Race Nail - is an American nail specially developed for U-fullered horseshoes. It is a versatile nail designed specifically for racehorses. The head of the RN nail is larger than the ASV nail, providing a secure fit and a strong hold in the nail hole. Like it's sister nail the ASV, it is a great choice for race horses.



Item number	Description
21.1.11604	Mustad Race Nail 3.5 (250)
21.1.11608	Mustad Race Nail 4.5 (250)
21.1.11610	Mustad Race Nail 5 (250)

Type
3.5 4.5 5

For light weight shoes

Better for U-crease

Race Nail

38 44.5 47.5 Length mm

Draft nail

- Type Square crown head
- Shoes V-creased shoes
- Sizes Draft 8 Slim (63mm) - Draft 11 Slim (78mm)
Draft 10 (68mm)



The Mustad "M" is always stamped on the inside of the nailhead and is placed on the same side as the bevel, as a simple guide for the farrier.



The DRAFT nail is the ideal choice for draft horses. Developed in 2021, it is designed for a perfect fit with the market leading heavy draft horseshoes. It is the strongest draft horse nail in the market, with a slim, long neck that fits 10 mm shoes and up. This is the optimum draft nail for all heavy horses.

Type

<u>8 SL</u>	<u>9 SL</u>	<u>10 SL</u>	<u>11 SL</u>	<u>10</u>
-------------	-------------	--------------	--------------	-----------

For heavy weight shoes

Better for V-crease

Draft Slim				Draft
63	68	73	78	68
Length mm				



Item number	Description
21.1.10429	Mustad Draft 10 (100)
21.1.10437	Mustad Draft 8 Slim (100)
21.1.10438	Mustad Draft 9 Slim (100)
21.1.10439	Mustad Draft 10 Slim (100)
21.1.10440	Mustad Draft 11 Slim (100)



Type Flat head
Shoes Sliding plates shoes
Sizes Slider 4.5 (44.5mm)

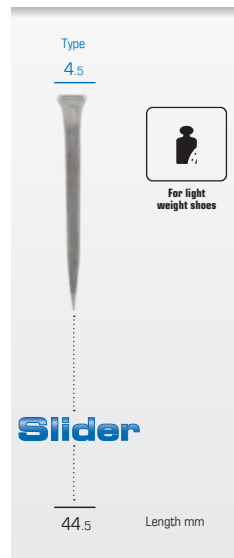
Perfect choice for the sliding plates.
Specially designed head gives minimal protrusion. Gives perfect slide even without extensive rasping of the head.



Precision, perfection and reliability are the definitive features of Mustad nails. Production of Mustad nails has a minimal tolerance, as quality is always our prime consideration.



Item number	Description
21.1.11645	Mustad Slider 4.5 (250)



HammerHead nail

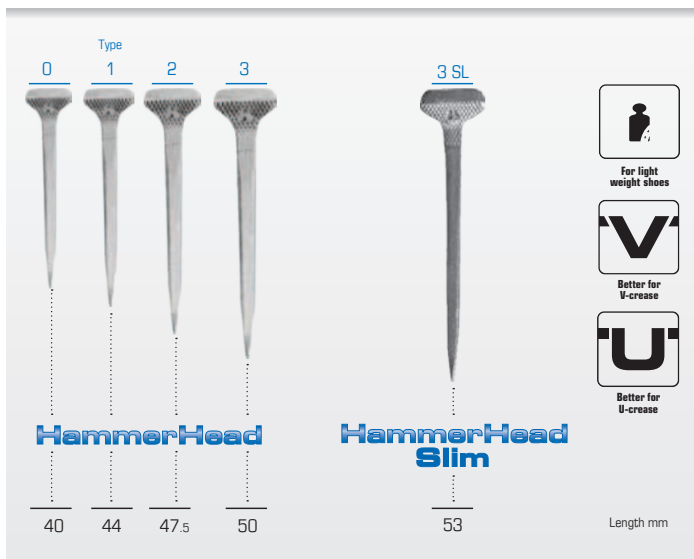
- Type Wide, rectangular waffle head
- Shoes U-creased and V-creased shoes
- Sizes HammerHead O (40mm) - 3SL (53mm)



The revolutionary designed HammerHead nail was first developed in 2015. Its unique shaped head together with the Mustad Pitch technology provides constant driving and perfect fit in U-creased shoes. The waffle structure on the nail head ensures a good locking function and secure fit for your horse's shoes. Originally created for racehorses but due to market demand, it is now also available in bigger sizes for riding horses.



The Mustad "M" is always stamped on the inside of the nail head and is placed on the same side as the bevel, as a simple guide for the farrier.



Type	Length (mm)	Shoe Compatibility
0	40	For light weight shoes
1	44	Better for V-crease
2	47.5	Better for U-crease
3	50	Better for U-crease
3 SL	53	Better for U-crease

HammerHead **HammerHead Slim**

Length mm



Item number	Description
21.1.12685	Mustad HammerHead 0 (250)
21.1.12686	Mustad HammerHead 1 (250)
21.1.12682	Mustad HammerHead 2 (250)
21.1.12683	Mustad HammerHead 3 (250)
21.1.12693	Mustad HammerHead 3 Slim (250)



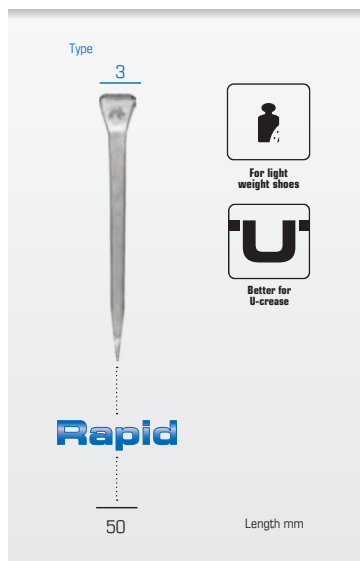
Type Square head
Shoes Trotting & racing shoes
Sizes Rapid 3 (50mm)

Precision, perfection and reliability are the definitive features of Mustad nails. Production of Mustad nails has a minimal tolerance, as quality is always our prime consideration.

The Rapid nail is perfect for those looking for a reliable and durable nailing. Its slender shank, short neck and low head make it perfect for use with thinner shoes. Its superior quality ensures a secure and lasting hold, making it an excellent choice for any trotter.



Item number	Description
21.1.12661	Mustad Rapid 3 (250)



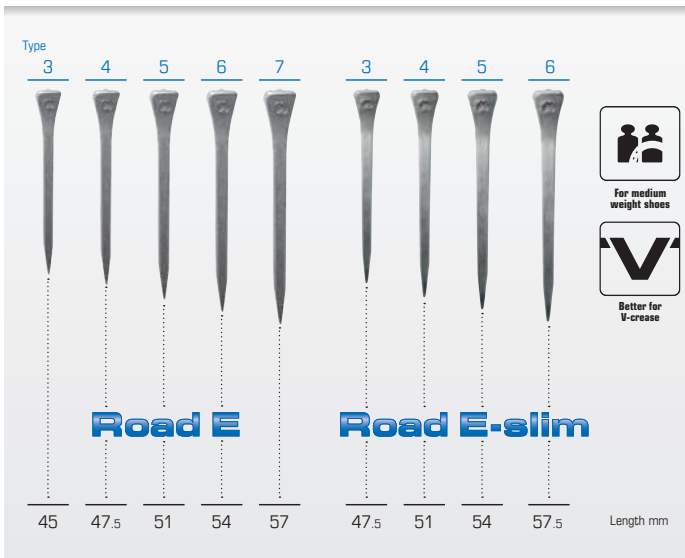
Type E and E-slim, E-head
Shoes V-fullered: LiBero, BaseMax, DM, Equi-Librium
Sizes E3(45mm) – E7(57mm),
 ESL3 (47.5mm) - ESL6 (57.5mm)



The Road Nail program is based on the standard E and E-slim nails. It features a carbide pin in the head to reduce wear and prolong the shoe life. It is especially well suited for horses that are frequently used on gravel and asphalt roads, where wear and tear on the shoes and nails is extra high. Remember to use a cap on your hammer when nailing the Road Nail, to protect and prolong the life of the hammer.



The Mustad "M" is always stamped on the inside of the nailhead and is placed on the same side as the bevel, as a simple guide for the farrier.



Item number	Description
21.1.50405	Mustad E 3 (100) Road Nail
21.1.50406	Mustad E 4 (100) Road Nail
21.1.50407	Mustad E 5 (100) Road Nail
21.1.50408	Mustad E 6 (100) Road Nail
21.1.50409	Mustad E 7 (100) Road Nail
21.1.50415	Mustad E Slim 3 (100) Road Nail
21.1.50416	Mustad E Slim 4 (100) Road Nail
21.1.50417	Mustad E Slim 5 (100) Road Nail
21.1.50418	Mustad E Slim 6 (100) Road Nail



HELLER RASPS
REACH FOR TRADITION

HOOF RASPS

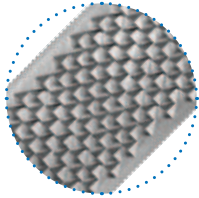
Heller hoof rasps are designed and crafted by Heller International, a member of the Mustad Group. Heller has a long tradition in designing and manufacturing rasps. The history goes back to 1836, when George Heller, a German immigrant, started producing rasps and files in Newark US.





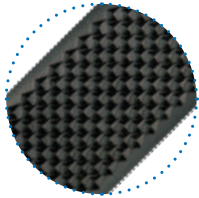
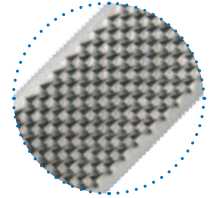
HOOF RASPS TECHNOLOGIES

A good hoof rasp is one that is sharp and predictably removes material without the teeth becoming clogged, regardless of the direction of work. Heller strives to achieve continuous improvement and perfection, using innovative technologies and a highly reliable production process.



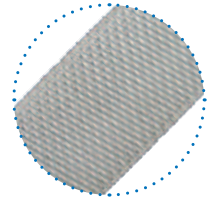
Soft hooves: the design and material of the teeth is ideal when ground conditions lead to soft hooves, making the rasp less prone to clogging.

Hard hooves: the design and material of the teeth is ideal when ground conditions lead to hard hooves, making this rasp very efficient for hoof removal.



Black coating Black coating ensures easy horn material release from the rasp and rust resistance for enhanced durability and a longer life cycle.

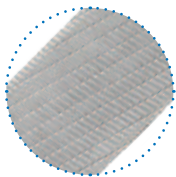
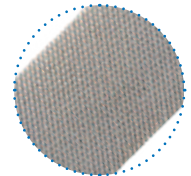
File side The file side of Heller rasps is sharp, enabling efficient removal of hoof material with little effort. The file side can be used both to file the side of the hoof flat and to polish the hoof wall.



Individually tested and packed to reduce the risk of damage every Heller rasp is carefully inspected before it leaves the factory and then each rasp is individually wrapped in protective sleeve.

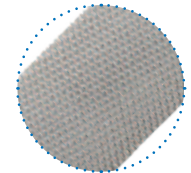


OriginalGlide A file side with a more aggressive design, removing sufficient amounts of hoof while leaving a nice surface finish. Ideal for use as an all- round trimming rasp.



MultiGlide Multiple forward blades with sharp edges for close hoof removal, leaving a smooth finish. It combines multiple overcuts for easy hoof removal, being the answer for all who are seeking a polished and impressive look.

SmoothGlide Multiple small teeth, ideal to polish the hoof with minimum but consistent removal, leaving a very smooth finish.



6 teeth: Traditional 6-teeth design. Good to tackle a big hoof removal task.



9 teeth: Teeth almost to the edge of the rasp. Enables rasping in clips and offers an enlarged rasping surface for even more efficiency.



ALLROUND PERFORMANCE

- The original 50 mm wide rasp
- Minimal effort – maximum efficiency
- The rasp for all hoof conditions

HELLER EXCEL ORIGINAL is just that – the original 50 mm wide rasp. With 711 small and compact teeth, this rasp is a farrier's best friend for every hoof. Steady and durable, the EXCEL ORIGINAL requires minimal effort when pushing the rasp while still performing with maximum efficiency over and over again.

Length	360 mm
Width	50 mm
Thickness	4.4 mm
Number of teeth per row	9

31.3.32119A



9-teeth per row





THE BEST RASP YOU WILL EVER USE

- Provides a glass-like finish
- First rasp to include both a coarse and a multiglidle side
- Out of the box performance

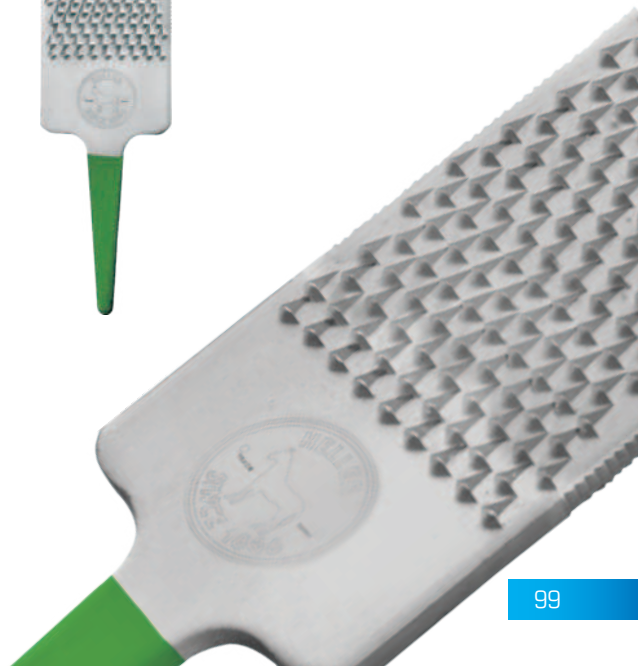
HELLER EXCEL LEGEND is a real performance rasp for farriers who need a sharp and efficient rasp for everyday shoeing to competitions. With this rasp, you get 666 sharp teeth divided into 74 rows over the 50 mm wide surface. The coarse side removes hoof instantly and is perfectly complemented by the fine multiglidle side which gives a great, glass-like finish to the hoof.

Length	360 mm
Width	50 mm
Thickness	4.4 mm
Number of teeth per row	9

31.3.32130A



9-teeth per row





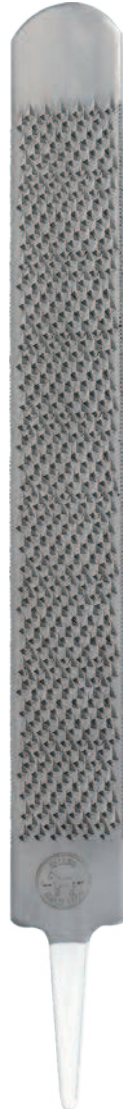
LEGENDARY SHARPNESS

- Longevity
- Sharpness
- Great hoof removal

HELLER LEGEND does everything you need. Its sharp teeth take off a lot of hoof in no time at all, and performs great on soft hooves.

Length	360 mm
Width	40 mm
Thickness	5 mm
Number of teeth per row	6

31.3.32115A



6-teeth per row





PROFESSIONAL RESULTS EVERY TIME

- Specifically designed for professional finish
- Works great with eXcel Original, Red Tang and Legend

HELLER PROFINISH is the ultimate tool for farrier who strive for perfection. Get that super polished finish with this 40 mm rasp.

This rasp benefits from the multiglides and smoothglide sides to give the desired glasslike finishing every time.

Length	360 mm
Width	40 mm
Thickness	5 mm

31.3.32114A





EVERY-DAY PERFORMANCE

- Fine teeth design
- Closer structure, ideal for hard hooves

HELLER BLACK MASTER is the perfect workhorse for the everyday use. Its small and concentrated teeth over the 40 mm surface makes trimming easier.

Length	360 mm
Width	40 mm
Thickness	5 mm
Number of teeth per row	6

31.3.32102A



6-teeth per row



Black coating



HIGH PERFORMANCE

- Large tooth angle
- Open structure, ideal for soft, damp horn material

HELLER BLACK LEGEND is effective and sharp, while being more rust resistance due to the black coating covering the entire 40 mm wide rasp. This rasps performs particularly well on soft hooves.

Length	360 mm
Width	40 mm
Thickness	5 mm
Number of teeth per row	6

31.3.32117A



6-teeth per row



Black coating





RELIABILITY IS KEY

- Fine teeth design
- Closer structure, ideal for hard hooves

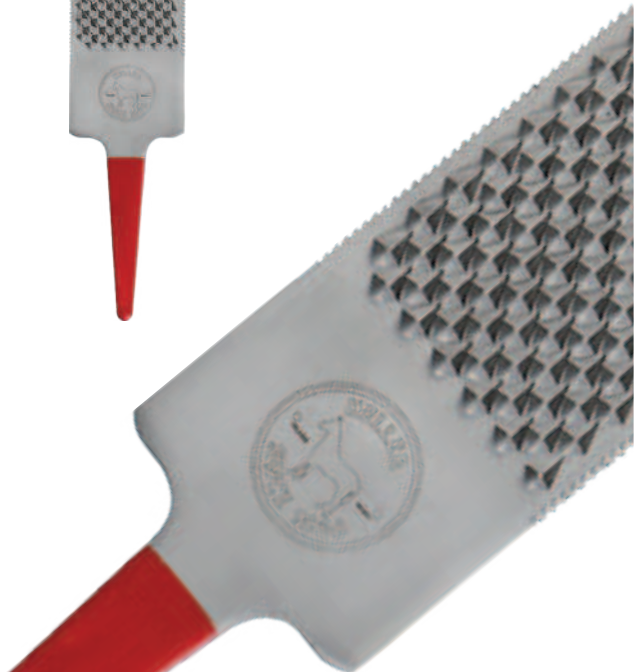
HELLER RED TANG provides reliability with its close teeth structure over a 40 mm surface. Performs especially well with hard hooves.

Length	360 mm
Width	40 mm
Thickness	5 mm
Number of teeth per row	6

31.3.32101A



6-teeth per row





HELLER GRIPS



40.3.39665

Green handle for eXcel Legend Rasp



40.3.39528

Blue handle for eXcel Original Rasp



40.3.39532



40.3.39533

Black and Red Handles for all Heller Rasps except eXcel rasps

RASP HANDLES



40.3.60010

Heller handle rasp, black plastic



40.3.60028

Heller handle rasp, red plastic

The screw-on plastic handle fits our rasps, as well as any of your existing rasps.



MUSTAD
DESIGNED TO PERFORM

TOOLS

Featuring a combination of old world craftsmanship and state-of-the-art technology, all the tools we are offering are designed to meet the highest standards of a demanding industry. Our goal is to provide our customers with superior-quality products and excellent service to make their job just a little easier!

With this in mind, our tools are developed specially for the horseshoeing and horse care industries. Hand tools, cutting tools, forging and hammers, our product range meets with all the needs of the professional in the market, farriers and veterinarians.



Over 30 years working together.

Mustad's 190 years of experience providing farriers with premium products that makes their life easier, on one side;

Grant's 40 years as a farrier and international Mustad ambassador, thousands of horses shod across the globe, 6 World Champion titles and many other farrier achievements on the other side.

We teamed up to create a distinctive line of farrier tools, paying attention to the smallest details and materials to give maximum performance and reliability.



**MUSTAD GDM
Ball clipping Hammer,
850 g**

40.1.GDMBO8

**MUSTAD GDM
Pro Fit Forging
Hammer, 850 g**

40.1.GDMFI8



**MUSTAD GDM
Classic Forging
Hammer, 900 g**

40.1.GDMFO8

**MUSTAD GDM
Driving Hammers**

200 g # 40.1.GDMDH7

225 g # 40.1.GDMDH8

250 g # 40.1.GDMDH9



MUSTAD GDM Master Fuller Standard

40.1.GDMSF



MUSTAD GDM Master Fuller Narrow

40.1.GDMNF

MUSTAD GDM Master Fuller Wide

40.1.GDMWF



MUSTAD GDM Handles

Driving # 40.1.GDMHD

Forging # 40.1.GDMHR

Fuller # 40.1.GDMHF

Stamp # 40.1.GDMHS

MUSTAD GDM Standard Pritchel

40.1.GDMPRIT





**MUSTAD GDM
Impact Fullered
Stamp**

40.1.GDMPCW

**MUSTAD GDM
Impact Starter
Stamp**

40.1.GDMPRSW



**MUSTAD GDM
Impact Plain
Stamp**

40.1.GDMPSW



**MUSTAD GDM
Loop Blade Knife**

40.1.GDMKNLP





**MUSTAD GDM
Curve Blade Knife**

Right # 40.1.GDMKND
Left # 40.1.GDMKNSD

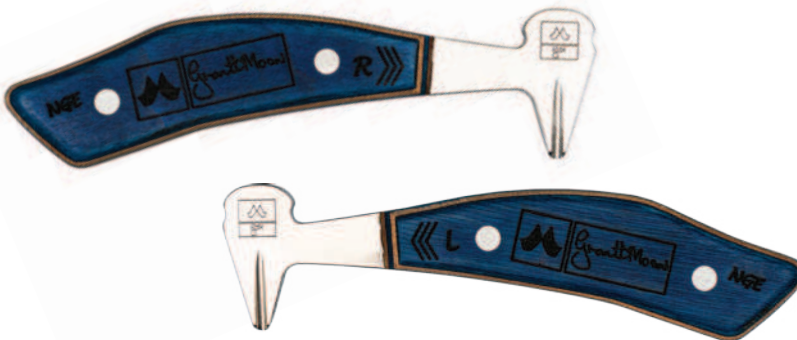
**MUSTAD GDM
Straight Blade Knife**

Right # 40.1.GDMKNLD
Left # 40.1.GDMKNLSD



**MUSTAD GDM
Clinch Gouge**

Right # 40.1.GDMCGR
Left # 40.1.GDMCGL



**MUSTAD GDM
Clinch Cut
Double**

40.1.GDMCCRL





MUSTAD Tools are designed to bring comfort, performance and durability to the job. Mustad offers a wide range of tools to choose from in an attractive, blackened finish. Tools that work as hard as you do, day after day.

MUSTAD Nippers

- 12" # 40.1.60032
- 14" # 40.1.60001
- 15" # 40.1.60015



MUSTAD Pull-Off

- 12" # 40.1.60062
- 14" # 40.1.60003



MUSTAD Nail Puller

40.1.60017



MUSTAD Clincher

40.1.60005

MUSTAD
Nail Cutter

40.1.60034



MUSTAD
Forging Tongs



6 mm # 40.1.60019

8 mm # 40.1.60020

10 mm # 40.1.60021

12 mm # 40.1.60022



MUSTAD
Pritchel

40.1.60046



MUSTAD
Clinching Block

40.1.60066



MUSTAD
Clinch Cutter

40.1.60023



MUSTAD Forging Hammers



- 800 g # **40.1.60050**
- 1,1 kg # **40.1.60007**
- 1 kg (Square) # **40.1.60049**



MUSTAD Driving Hammers

- 300 g # **40.1.60061**
- 355 g # **40.1.60009**
- 470 g # **40.1.60051**



MUSTAD Handle (wood)



- Forging Hammer Handle # **40.1.60011**
- Creaser Handle # **40.1.60008**
- Driving Hammer Handle # **40.1.60012**



MUSTAD Fore Punch

- City Head # **40.1.60036**
- E Head # **40.1.60037**



MUSTAD Creaser

- City Head # **40.1.60038**
- E Head # **40.1.60039**

**MUSTAD Hoof Knife,
Wide Blade**

Right # 40.1.61040

Left # 40.1.61041



**MUSTAD Hoof Knife,
Double Edge Blade**

40.1.61050



**MUSTAD Hoof Knife,
Dropped Blade**

Right # 40.1.61010

Left # 40.1.61011



MUSTAD Hoof Knife, Loop

40.1.61070



MUSTAD Knife Sharpener

40.1.61020



MUSTAD Toeing Knives

280 mm # 40.1.61060

330 mm # 40.1.61061

360 mm # 40.1.61062



Kulp Spreader



The Kulp Spreader tool allows adjustments from pony to warmblood horseshoe sizes.

40.102.442906



Mustad Farrier Bag Canvas Blue

Holds up to 12 tools.

90.1.90010



Ruidoso Hoof Gauge

The HG-1 gauge has an easy read guide with self adjusting design that lets you move from hoof to hoof without re-calibrating. The surface plate allows for easy leveling of entire perimeter of hoof plate.

90.78.950031

Repair Kit # 41526





HOOF HELPER

YOUR HORSE IS OUR PASSION

- It comes with two fittings, a rubber capped insert for working on the front feet and a rubber cradle for working on the hind feet. Plus two magnets.
- Ergonomically flat, 15.75 inches standing plate with 3 optional stabilizers.
- Lightweight plastic and aluminum construction.
- Rubber forefoot pad.
- Solid rubber hind leg cradle adjusts to fit any size joint.

- # 40.283.10001 HoofHelper, Hoof Stand Black
- # 40.283.10002 HoofHelper, Hoof Stand Red
- # 40.283.10003 HoofHelper, Hoof Stand Green
- # 40.283.10004 HoofHelper, Hoof Stand Pink
- # 40.283.10010 HoofHelper, Front foot additive Black
- # 40.283.10011 HoofHelper, Back foot additive Black
- # 40.283.10012 HoofHelper, Steel pipe, clamp ring, front
- # 40.283.10013 HoofHelper, Steel pipe, clamp ring, hind
- # 40.283.10014 HoofHelper, Stability feet (set of three)
- # 40.283.10015 HoofHelper Spare adjustment screw
- # 40.283.10016 HoofHelper Magnet



Height without posts: 13 inches.
Diameter base: 15.75 - 17.71 inches.
Diameter magnets: 2.36 inches.



MUSTAD
DESIGNED TO PERFORM

CARE



The Mustad care product catalogue, designed exclusively for farriers who value quality and simplicity. Our extensive range of products is tailored to meet the specific needs of hoof care professionals like you, ensuring the best care for every horse you work with. Experience the ease of use and exceptional results that Mustad care products bring to your daily work.



Comfortmix
Pro Foam
200 cc
(25 Shore)

90.195.200625200

Key Features:

- Specially designed impression material for full fill/pour with pads, providing comprehensive support.
- Optimum hardness (shore A25) for a solid yet comfortable platform for the horse.
- Impressive 245 % expansion rate: 200 cc volume expands to 490 cc, reducing waste.
- Swift setting in just 2 minutes for efficient application and reduced downtime.
- Versatile for medical application to the sole, a valuable addition to ComfortMix arsenal.
- Enhanced comfort and minimal weight, maintaining optimal performance for the horse.

Pro Foam Unique Features:

- Easy & Fast Application: Fill less than half the sole for optimal results. Quick, hassle-free!
- Effortless Mixing: 1/1 ratio reduces errors and saves time.
- Simple to Use: No extra equipment needed. 200 cc cartridges compatible with ComfortMix line.
- Accurate Measurement: No scales required. Easy-to-use cartridges for perfect amounts every time.



ComfortMix Cartridge Heater

90.195.890612210

- Heater 1 slot for warming a 2-component bottle
- 1 slot for warming a 2-component bottle in glue gun. Also, possible to have the mixing tip already on as there is a hole in the bottom of this slot
 - “Hook” hangers to hang the heater in a farrier van
 - 1 regular EU contact
 - 1 12V contact for car use
 - 1 control with on/off button, low, middle, high heat indicator lights



With the HOOF PAD products, the hooves get extra shock absorption and protection. Comfortmix HOOF PAD is available in four varieties; ORIGINAL, SOFT, ZnO and the latest addition PLUS, so that each horse can get customized protection and comfort. All HOOF PADs harden in 30 seconds, providing almost immediate support.

- Provides comfort and protection
- Hardening time 30 sec on dry, clean hooves
- All HOOF PADs can be used to seal soles and prevent debris and moisture from entering between the hoof and sole
- HOOF PAD and HOOF PAD PLUS can be used with or without soles
- HOOF PAD SOFT and HOOF PAD ZnO can be used with all kinds of soles! The product performs best at temperatures between 18-30°C



ComfortMix
Silicone 200 cc
(22 Shore)

90.195.210603200



ComfortMix Hoof
Pad Plus 200 cc
(55 Shore)

90.195.200651200



ComfortMix Hoof
Pad 200 cc
(50 Shore)

90.195.200650200



ComfortMix Hoof
Pad ZnO 200 cc
(40 Shore)

90.195.200631200



ComfortMix Hoof
Pad Soft 200 cc
(30 Shore)

90.195.200630200

HOOF REPAIR is developed to solve large and small hoof repairs, but works just as well for attaching all kinds of shoes or to create a special shoe. HOOF REPAIR attaches directly to a dry and clean hoof wall and is ready-hardened in about 5 minutes. The product retains some flexibility to ensure and support the hoof's natural movement. HOOF REPAIR is available in two varieties, WHITE and BLACK, to blend in with both white and black hooves.

- Perfect for large and small hoof repairs
- Fully hardened in 5 min
- Available in two colors; white and black! Do not apply directly to sensitive parts of the hoof



ComfortMix
Hoof Repair White
200 cc

90.195.160601200



ComfortMix
Hoof Repair Black
200 cc

90.195.160602200



ComfortMix Super
Bond 200 cc

#90.195.150601200

For a super fast bonding & hoof repair. Foal extensions. Customized shoes. It sets in 30 seconds and sticks to a clean dry hoof wall for small repairs. Create a custom shoe for horses. Perfect to glue on cuffs for foals or use with foal extension.

Good to know

Make sure the product is at room temperature.



ComfortMix 200 cc Dispenser

90.195.827000200

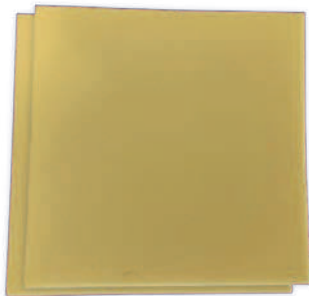
Comfortmix 200 cc Dispenser is used with ComfortMix two-component bottles for optimal product distribution.



ComfortMix Mixing Tips

90.195.640005110N

Use with ComfortMix two-component bottles for optimal product distribution. Mix the two components and provide an accurate application.



ComfortMix Foam Pads /pr

90.195.810004050

Comfortmix Foam Pads can be used as support applying the product until it hardens.



ComfortMix Mesh

90.195.892002010

The ComfortMix mesh net is used to support the Comfortmix products and keep them in place.



HOOF CUSHION provides natural shock absorption to the hoof while supporting and distributing pressure on the sole and ray. The two components are quickly mixed in the hand and easily shaped into any desired form. Available in three hardness; SUPERSOFT A15, SOFT A25 and MEDIUM A35. Each component weighs 1.5 kg - a set consists of three kilos of product.

- Designed to protect and support the hoof
- Natural shock absorption
- Can be used with all kinds of soles

ComfortMix Hoof Cushion Super Soft A15

90.195.250611015

2x1.5kg Orange



ComfortMix Hoof Cushion Soft A25

90.195.250605015

2x1.5kg Blue

ComfortMix Hoof Cushion ZnO Soft A25

90.195.250616015

2x1.5kg Green



ComfortMix Hoof Cushion Medium A35

90.195.250609015

2x1.5kg Purple



HOOF FASHION MEDIUM A35

HOOF FASHION MEDIUM A35



ComfortMix Hoof Cast 2" Roll

90.195.130724



Fiberglass casting tape

- For hoof reconstruction.
- Supports poor wall integrity.
- Aids in laminitis.



ComfortMix Hoof Cast 2,5" Roll

90.195.130725

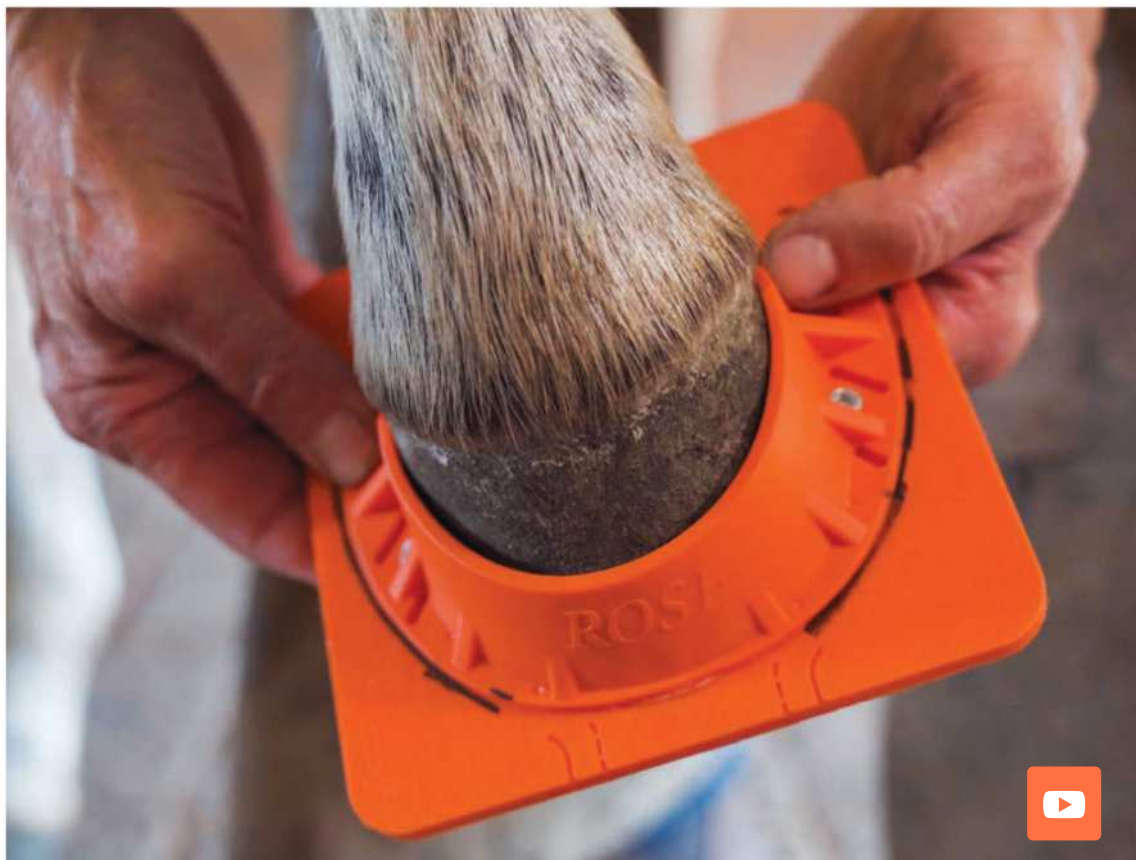
Good to know

- Make sure the hoof is clean and dry before applying.
- Protect the coronary band with for example PVC tape.
- First wrap the hoof, then moisten the cast with a spray bottle or moist sponge (this activates the cast).
- Once activated, wrap the hoof in cling wrap.

ComfortMix Hoof Cast 3" Roll

90.195.130726





One size will fit all foal hooves

The Rose Foal Shoe is a versatile, one-size shoe that fits all foal hooves, easy to glue with Superbond (or similar), saving space and avoiding odd shoes, and providing safety with its adjustable lint.

It is recommended to use with ComfortMix Super Bond





Hoof Hygiene liquid

90.192.552010

Hoof-fit Hoof Hygiene Liquid is a unique solution which treats and prevents thrush, seedy toes, white line keep them in a healthy condition. This products optimizes the condition of the frog and white line



Hoof Marvel

Hoof Marvel Gallon 3.7 liter # 90.52.592033

Hoof Marvel Gallon 0.9 liter # 90.52.592034



Protection and shock absorption for the hoof. Mustad leather pads are made from high quality South-American buffalo leather, offering excellent sole protection and shock absorption. These heavy-duty pads come in sizes 4 to 8 and three levels of thickness – light (approx. 4mm thick), standard (approx. 5.5mm thick) and heavy (approx. 7.5mm thick). The natural rawness of the surface ensures great adhesion of most filling materials, preventing them from sliding out. Get Mustad leather pads today to give your horse the protection and shock absorption it needs.

MUSTAD Leather Pads

Leather Light 4 Pads	# 90.214.50011
Leather Light 5 Pads	# 90.214.50012
Leather Light 6 Pads	# 90.214.50013
Leather Light 8 Pads	# 90.214.50015
Leather Regular 3 Pads	# 90.214.50020
Leather Regular 4 Pads	# 90.214.50021
Leather Regular 5 Pads	# 90.214.50022
Leather Regular 6 Pads	# 90.214.50023
Leather Regular 7 Pads	# 90.214.50024
Leather Regular 8 Pads	# 90.214.50025
Leather Heavy 3 Pads	# 90.214.50030
Leather Heavy 4 Pads	# 90.214.50031
Leather Heavy 5 Pads	# 90.214.50032
Leather Heavy 6 Pads	# 90.214.50033
Leather Heavy 8 Pads	# 90.214.50035
Leather XX-Heavy Wedge 5 Pads	# 90.214.50090
Leather XX-Heavy Wedge 6 Pads	# 90.214.50091



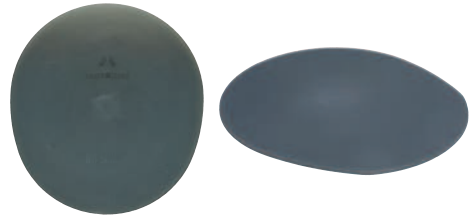
Combi-Leather

90.1.80347

Provide protection for the sole and are shock-absorbing. The Mustad No-Shock Pads provide superior protection and shock absorption for your horse's hoof and sole. These pads are made from a durable and resilient polyurethane material that will not compress under the horse's weight. They are an excellent choice for horses suffering from navicular, concussive injuries, hoof sensitivity or soft dropped soles. The Mustad No-Shock Pads are an ideal solution for multiple shoeing, providing protection and comfort for your horse.

MUSTAD No-Shock

- No-Shock Large Pad, Plastic # **90.1.80259**
- No-Shock Small Pad, Plastic # **90.1.80260**
- No-Shock Small Hard Pad, Plastic # **90.1.80287**
- No-Shock Large Hard Pad, Plastic # **90.1.80288**



MUSTAD No-Shock Wedge Small

90.1.80366

MUSTAD No-Shock Bar Wedge

- Wedge 0 # **90.1.80364**
- Wedge 1 # **90.1.80375**
- Wedge 2 # **90.1.80363**



Strider New BER

90.1.80455



Strider New BRR

90.1.80344

Strider New BEF

90.1.80454



Strider New BRF

90.1.80343



MUSTAD
DESIGNED TO PERFORM

WINTER

Introducing the Mustad Winter Range: your ultimate support in snowy conditions. Our no-snow pads prevent snow from clogging in the hoof, while our studs offer extra traction to prevent slips. Conquer winter with confidence and ensure your horse stays safe and secure.



MUSTAD No-Snow Black

No-Snow Black Front # 90.1.80320

No-Snow Black Hind # 90.1.80321



MUSTAD No-Snow Trotting

No-Snow Trotting Front # 90.1.80249

No-Snow Trotting Hind # 90.1.80250

MUSTAD No-Snow Blue Regular

No-Snow Blue Regular Front # 90.1.80382

No-Snow Blue Regular Hind # 90.1.80383

* Suggested shoe sizes 2x0 - 5

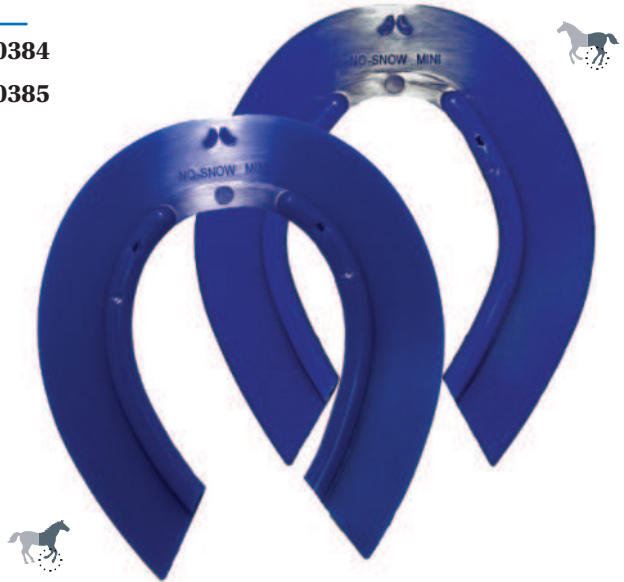


MUSTAD No-Snow Blue Mini

No-Snow Blue Mini Front # **90.1.80384**

No-Snow Blue Mini Hind # **90.1.80385**

* Suggested shoe sizes 7x0 - 3x0



MUSTAD No-Snow Blue Maxi

No-Snow Blue Maxi Front # **90.1.80386**

No-Snow Blue Maxi Hind # **90.1.80387**

* Suggested shoe sizes 2 - 9



MUSTAD Plugs

Item number	Size	Cone	Body x Length	Cone Length	Drill Size
90.1.70682	Plug 9	8.8mm	14x6.5mm	10.5mm	8.8mm
90.1.70692	Plug 10	6.8mm	14x7.0mm	8.5mm	6.8mm
90.1.70694	Plug 11	6.8mm	10x5.5mm	8.5mm	6.8mm
90.1.70695	Plug 11.5	6.8mm	10x9.0mm	8.5mm	6.8mm
90.1.70697	Plug 13	6.8mm	-	9.5mm	6.8mm



Plug 9



Plug 10



Plug 11



Plug 11.5



Plug 13



MUSTAD Carbide Pins

Pins 9 # **90.1.50901**

Pins 9.5 # **90.1.50902**

MUSTAD Stud Fill Large

Black 3/8"-M10, Foam

90.1.70706



PRODUCTION SITES



Company name	Location
--------------	----------

Mustad, with more than 190 years in the industry, is committed with farriers and related communities worldwide and provides products and solutions of the highest quality that are well-suited to meet the demands of the equine professional, yet in the most sustainable way.

SALES AND DISTRIBUTION SITES






We operate manufacturing facilities where traditional craftsmanship meets state-of-the-art technology, aiming to move to carbon-free production that has already started.

MUSTAD
MAKING LIFE EASIER FOR FARRIERS!



www.mustad.com

Follow us @MustadHoofcare   

09.2023